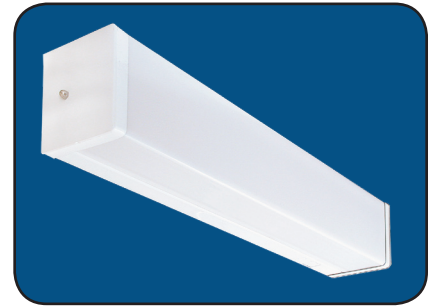


555 Series

Ceiling/Wall Mount Luminaire



FEATURES & SPECIFICATIONS

INTENDED USE

Stylish ceiling/wall mounted luminaire in either white or walnut finish with a variety of lamp combinations and sizes enhanced by linear sided acrylic diffuser. Designed for baths, kitchens, rec rooms, corridors, aisles, stairwells, over or beside mirrors, over bulletin boards, in vanities, in displays.

SIZE H x W in inches (mm)

4.50H x 5.62W (115 x 145)

Available in 24, 36, and 48in (610, 915, 1220) lengths

LAMP

2 lamp positions

MOUNTING

Back plate provided with adequate knockouts and mounting holes for either wall or ceiling installation.

MATERIALS & FEATURES

All metal parts are die formed from heavy gauge cold roll steel with overlapping end caps to insure uniformity and dimensional stability. One light and two light units same external dimensions.

DIFFUSER

Linear sided prismatic lens of extruded acrylic for controlled light.

WIRING

Standard ballast are 120volts, 60 hertz.

LISTING

Fixture & Ballast: UL Listed

Ballast: Thermally protected, class P, HPF, Non PCB

TYPICAL OPTIONS AND ACCESSORIES

Custom finishes, internal divider, front baffle, pull chains, convenience outlets, and Emergency ballasts. CONTACT FACTORY for custom, compact fluorescent night light options. See options page at the end of the T02WallF section, or contact factory for more details.

ORDERING INFORMATION

Example: 555A232DFMVWH

555	A	2	32	DF	MV	WH
Series			Lamp Type [1]			Ballast Count
555 Lensed wall mount Up/down light			17 24 in. T8 25 36 in. T8 32 48 in. T8			Blank Single Ballast (11) Dual One Lamp Ballasts
Lens Material		Lamp Count		Ballast & Voltage		Finish
A Clear Prismatic acrylic MW Smooth white acrylic		2 (Lamps not Included)		E120 Electronic, 120V E277 Electronic, 277V MV Electronic, Multivolt (120-277)		WH White (Standard) OAK Simulated Oak painted finish WAL Simulated Walnut painted finish CH Chrome finish CHEND Chrome finish on end caps only
		Divider & Front Shield				Options [1]
		Blank No Divider or Fron Shield D Divider only F Front shield only T Top shield only DF Divider and Front Shield TF Top and Front Shield				SW2 Pull chain, 2 way switching (Use with single ballasts) GCO Grounded convenience outlet (North American 3 Prong) EM Emergency ballast, 500 lumens
		BOTH Divider and Front Shield REQUIRED for speration of up and down light. Dual ballasts are required for seperate switching.				
		Top and Front Shield REQUIRED for 100% down light				

Catalog Number:
Notes:

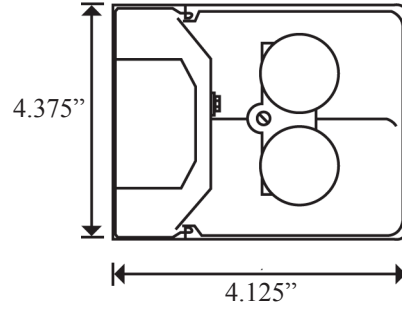
555 Series

Ceiling/Wall Mount Luminaire



DIMENSIONS

All dimensions are inches. Specifications subject to change without notice.



Catalog Number:
Notes: