

# Series CCFS

## PL Cove Fluorescent Lighting

### FEATURES & SPECIFICATIONS

- Ideal for indirect lighting in curved spaces
- Overlapping lamps for shadow-free light at close distances from illuminated surface
- Uses long, high-output lamps for maximum lumens per ballast
- Listed for damp location
- 10% dimming with standard dimming ballasts (consult factory for 5% dimming)

#### LAMP SELECTION

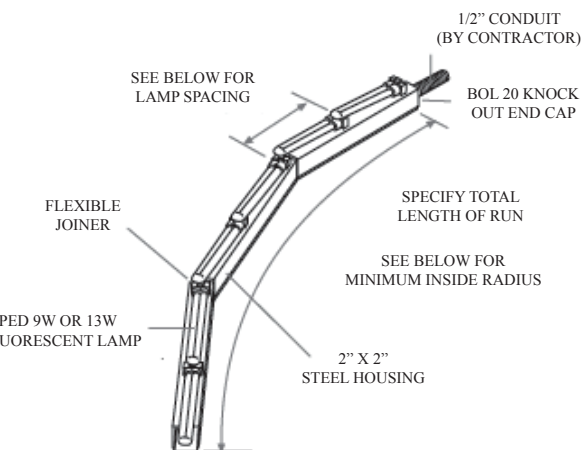
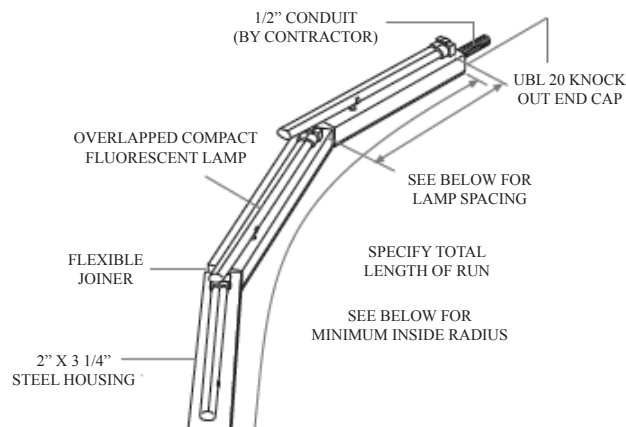
TYPE: COMPACT FLUORESCENT

BRANDS: GE "HIGH LUMEN BIAX," PHILLIPS "PL-L," OSRAM "DULUX-L"

WATTS	LENGTH	BASE	RATED HRS.	LUMENS	COLOR TEMP.	CRI
9W (4 PIN)	5.7"	2G7	10000	580	2700-4100	82
13W (4 PIN)	6.2"	2GX7	10000	820	2700-4100	82
18W	10.5"	2G11	12000-20000	1160-1250	3000-6500	82
27W/24W	12.8"	2G11	12000	1800	3000-4100	82
39W/36W	16.5"	2G11	12000	2850-2900	3000-4100	82
40W	22.5"	2G11	20000	2900-3300	3000-5000	82
50W	22.5"	2G11	14000	4000-4300	4000-4300	82

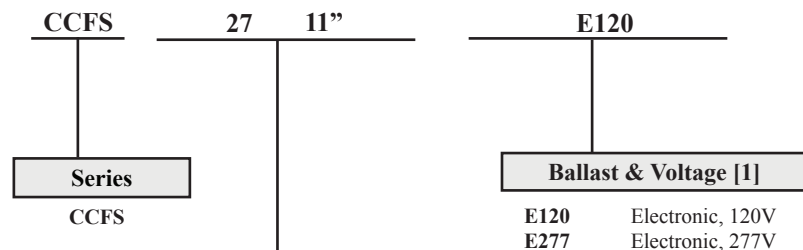
Refer to manufacturers' catalog for full selection and details.

LAMPS NOT INCLUDED



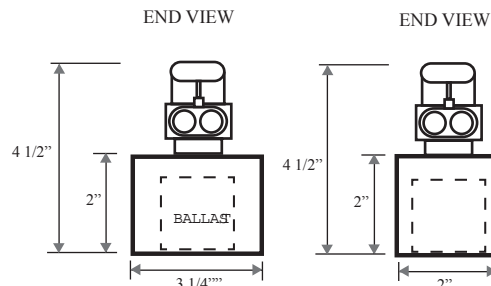
### ORDERING INFORMATION

Example: CCFS 27 11 E120



Lamp Wattage & Spacing	
9W	4" on center (18" minimum inside radius)
13W	4" on center (18" minimum inside radius)
18W	9" on center (21" minimum inside radius)
27W/24W	11" on center (25" minimum inside radius)
39W/36W	15" on center (34" minimum inside radius)
40W	20" on center (46" minimum inside radius)
50W	20" on center (46" minimum inside radius)

### DIMENSIONS



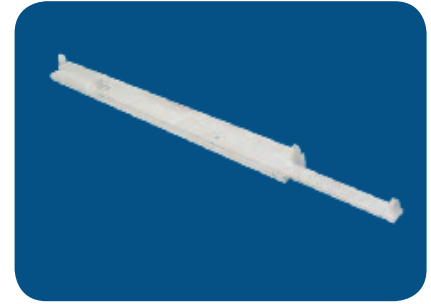
#### Notes

- [1] See end of T02Harsh section for many additional lamps, ballasts, finishes, and options.  
 [2] Tandem doubles length and lamp count. Same lamps in cross section, additional lamps end to end.

Catalog Number:
Notes:

# Series TSSKD

Telescopic Staggered Strip, Mini Body



## FEATURES & SPECIFICATIONS

### INTENDED USE

Specification grade, dual lamp strip for interior coves, valances, and displays requiring lighting without dark areas at lamp ends. Mini body style. Fixture telescopes to maintain a uniform distribution of light especially

### SIZE W x L x H in inches (mm)

2.5W x 1.25H (63 x 32)

Fixture length defined in ordering table.

### LAMP

2 lamp positions.

### MATERIALS & FEATURES

Housing is die-formed and embossed code 22 gage steel. Finish is high reflectance baked white enamel. Wiring knockouts are provided on back and end of housing. Fully open, fixture stagger is as follows:  
2' = 10", 3' = 20", 4' = 26"

- Mini body style for areas with minimum clearance.
- Available with T5 or T8 lamp styles.
- Offset provides continuous row lighting.

### MOUNTING

Surface mount or Suspended

### LISTING

Fixture and Ballast: UL Listed.

Ballast: Thermally protected, class P, HPF, Non PCB; unless specified otherwise.

### TYPICAL OPTIONS AND ACCESSORIES

Whips, fuses, and cord sets. See options page at the end of the T02Strip section, or contact factory for more details.

## ORDERING INFORMATION

Example: TSSKD254MV

TSSKD	2	54	MV
	(Lamps not included)		
<b>Series</b>	<b>Lamp Count</b>	<b>Lamp Type [1]</b>	<b>Ballast &amp; Voltage [1]</b>
TSSKD Telescopic Staggered Strip	2	14 14W T5 Fixture Length = 26.5 in.	<b>E120</b> Electronic, 120V
	2	21 21W T5 Fixture Length = 38.25 in.	<b>E277</b> Electronic, 277V
	2	28 28W T5 Fixture Length = 50.0 in.	<b>MV</b> Electronic, Multivolt (120-277)
	2	35 35W T5 Fixture Length = 62.0 in.	<b>H120 [2]</b> Electronic, 120V, Hi-Lume
	2	24 24W T5HO Fixture Length = 26.5 in.	<b>H277 [2]</b> Electronic, 277V, Hi-Lume
	2	39 39W T5HO Fixture Length = 38.25 in.	<b>HMV [2]</b> Electronic, Multivolt, Hi-Lume
	2	54 54W T5HO Fixture Length = 50.0 in.	<b>L120 [2]</b> Electronic, 120V, Lo-Lume
	2	80 80W T5HO Fixture Length = 62.0 in.	<b>L277 [2]</b> Electronic, 277V, Lo-Lume
	2	17 17W T8 Fixture Length = 28.0 in.	<b>LMV [2]</b> Electronic, Multivolt, Lo-Lume
	2	25 25W T8 Fixture Length = 40.0 in.	
	2	32 32W T8 Fixture Length = 52.0 in.	
			<b>Options [1]</b>
			<b>WP</b> 6 ft. 3 wire 18 gauge whip
			<b>CS</b> 8ft. 3/18 3 prong (5-15P) cord & plug

### Notes

[1] See end of T02Strip section for many additional lamps, ballasts, finishes, and options.

[2] HiLume and LoLume ballasts available for t8 lamps only.

Catalog Number:
Notes: