

HBG Series

Industrial Fluorescent HiBay Open Frame



FEATURES & SPECIFICATIONS

INTENDED USE

The HBG series open frame fluorescent high bay is a fully accessorized open frame fixture perfect for warehouse lighting. Premium full specular mirrored reflectors provide efficient lighting and maximum throw for medium to high mount applications. Built tough for industrial applications. Fully accessorized.

SIZE W x L x H in inches (mm)

4 lamp: 14.25W x 48L x 3.25D (370 x 1220 x 80)

6 lamp: 21.25W x 48L x 3.25D (540 x 1220 x 80)

8 lamp: 28.25W x 48L x 3.25D (720 x 1220 x 80)

MOUNTING

4 point chain mount (HC101 accessory available)
2 point tong chain mount (HC202 or HC203 acc available)
2 point stem mount—1/2" - no accessories required
Single point mount (7HBD accessory available)
Surface mount—no accessories required

MATERIALS & FEATURES

Galvanized steel body. Code gage. Lamps secured in twist lock lamp holders. Premium, full specular mirrored reflector with protective film. Multiple KOs and Access plate on back for rapid wiring.

LAMP

4, 6, or 8 T8, T5HO, or T55 lamp positions.

LISTING

Fixture & Ballast: UL Listed

Ballast: Thermally protected, class P, HPF, Non PCB

TYPICAL OPTIONS AND ACCESSORIES

Emergency ballasts, Cord sets, whips, occupancy sensors Hanging kits, Wire guards. Contact factory for additional options.

ORDERING INFORMATION

Example: HBG632M23MV

HBG	6	32	M23	MV	
Lamp Count	4, 6, or 8 Lamps Not included	Lamp Type [1]		Ballast & Voltage [1]	
		32 48 in. T8 54 46 in. T5HO		E120 Electronic, 120V E277 Electronic, 277V MV Electronic, Multivolt (120-277) H120 Electronic, 120V, Hi-Lume [3] H277 Electronic, 277V, Hi-Lume [3] HMV Electronic, Multivolt, Hi-Lume [3]	
Series		Reflector [2]			
HBG Fluorescent HiBay Open Frame		M23 full specular mirror reflector, no uplight, wide distribution M21 full specular mirror reflector, no uplight, narrow distribution W13 Enhanced white reflector, no uplight, standard distribution			
		Accessories Order as Separate Part Number			Options [1]
		HC101 Chain kit, Includes: 6 S Hooks and 20ft. chain HC202 Tong hangers, End Mount (Pair) HC203 Tong hangers, Side Mount (Pair) 7HBD Single Point hanger adapter HBG4WG 4 Lamp Wire Guard HBG6WG 6 Lamp Wire Guard HBG8WG 8 Lamp Wire Guard			CS 5-15P 120V 8ft. Cord & Plug CS12 L7-15P 277V 8ft. Cord & Plug CS08 8ft. Cord, No Plug WP 6 ft. 3 wire, Whip WP10 6ft. 4 Wire, Whip EM Emergency ballast, 500 lumens EM14 Emergency ballast, 1400 lumens

Note: EM14 required for T5HO lamps.
Consult factory for occupancy and daylight sensors.

Notes

[1] See end of T02HiBay for many additional lamps, ballasts, finishes, and options.

[2] Custom reflectors available to create any light distribution.

[3] HiLume and LoLume ballasts available for T8 lamps only.

Catalog Number:

Notes:

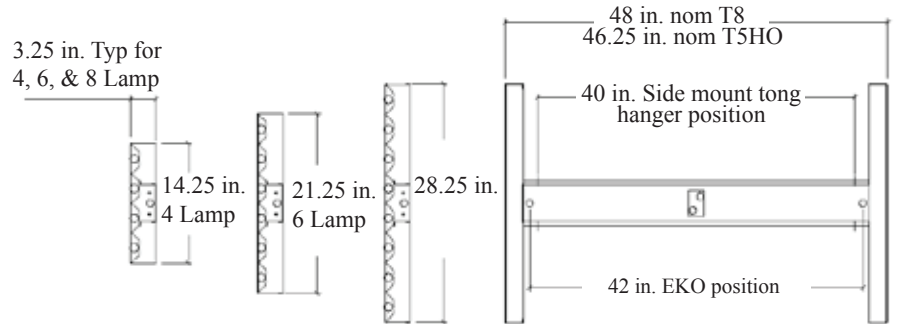
HBG Series

Industrial Fluorescent HiBay Open Frame



DIMENSIONS

All dimensions are inches. Specifications subject to change without notice.



PHOTOMETRICS

Calculated using the zonal cavity method in accordance with IESNA LM41 procedure. Lamp configurations shown are typical. Photometric data on these and other configurations available upon request.

Floor	20%	20%	20%	20%	20%	10%	10%	10%
Ceiling	80%	80%	80%	70%	70%	50%	50%	0%
Wall	70%	50%	30%	70%	50%	50%	30%	30%
RCR	Zonal cavity coefficients			HBG432		Spacing ratio. Along 1.2 Across 1.3		
0	1.12	1.11	1.11	1.09	1.08	0.98	0.98	0.93
1	1.02	0.97	0.93	1.00	0.95	0.87	0.85	0.81
2	0.94	0.86	0.79	0.91	0.84	0.78	0.73	0.70
3	0.86	0.76	0.68	0.84	0.74	0.69	0.64	0.61
4	0.80	0.68	0.60	0.77	0.67	0.63	0.57	0.55
5	0.74	0.61	0.53	0.72	0.60	0.57	0.51	0.49
6	0.68	0.56	0.47	0.66	0.55	0.52	0.46	0.44
7	0.64	0.51	0.43	0.62	0.50	0.48	0.42	0.40
8	0.60	0.47	0.39	0.58	0.47	0.45	0.38	0.37
9	0.56	0.44	0.36	0.55	0.43	0.41	0.35	0.34
10	0.53	0.40	0.33	0.52	0.40	0.39	0.32	0.32

Floor	20%	20%	20%	20%	20%	10%	10%	10%
Ceiling	80%	80%	80%	70%	70%	50%	50%	0%
Wall	70%	50%	30%	70%	50%	50%	30%	30%
RCR	Zonal cavity coefficients			HBG454		Spacing ratio. Along 1.2 Across 1.3		
0	1.09	1.08	1.08	1.06	1.05	0.96	0.95	0.91
1	0.99	0.94	0.90	0.97	0.92	0.84	0.82	0.78
2	0.90	0.82	0.75	0.87	0.80	0.74	0.69	0.66
3	0.82	0.71	0.63	0.79	0.70	0.65	0.59	0.56
4	0.75	0.63	0.54	0.73	0.62	0.58	0.51	0.49
5	0.68	0.56	0.47	0.66	0.55	0.52	0.45	0.43
6	0.63	0.50	0.41	0.61	0.49	0.46	0.39	0.38
7	0.58	0.45	0.37	0.57	0.44	0.42	0.35	0.34
8	0.54	0.41	0.33	0.53	0.41	0.39	0.32	0.31
9	0.51	0.38	0.30	0.49	0.37	0.36	0.29	0.28
10	0.47	0.35	0.27	0.46	0.34	0.33	0.26	0.26

Floor	20%	20%	20%	20%	20%	10%	10%	10%
Ceiling	80%	80%	80%	70%	70%	50%	50%	0%
Wall	70%	50%	30%	70%	50%	50%	30%	30%
RCR	Zonal cavity coefficients			HBG632		Spacing ratio. Along 1.2 Across 1.3		
0	1.11	1.10	1.10	1.08	1.08	0.98	0.97	0.93
1	1.02	0.97	0.92	0.99	0.95	0.87	0.84	0.80
2	0.93	0.84	0.78	0.90	0.83	0.77	0.72	0.69
3	0.85	0.74	0.66	0.82	0.73	0.68	0.62	0.60
4	0.78	0.66	0.58	0.76	0.65	0.61	0.55	0.53
5	0.72	0.59	0.51	0.70	0.58	0.55	0.49	0.47
6	0.66	0.53	0.45	0.64	0.52	0.50	0.43	0.42
7	0.62	0.49	0.40	0.60	0.48	0.46	0.39	0.38
8	0.58	0.45	0.37	0.56	0.44	0.42	0.36	0.35
9	0.54	0.41	0.33	0.53	0.40	0.39	0.32	0.32
10	0.51	0.38	0.30	0.49	0.37	0.36	0.30	0.29

Floor	20%	20%	20%	20%	20%	10%	10%	10%
Ceiling	80%	80%	80%	70%	70%	50%	50%	0%
Wall	70%	50%	30%	70%	50%	50%	30%	30%
RCR	Zonal cavity coefficients			HBG654		Spacing ratio. Along 1.2 Across 1.3		
0	1.13	1.13	1.13	1.10	1.11	1.00	1.00	0.94
1	1.03	0.97	0.93	1.00	0.95	0.87	0.84	0.80
2	0.93	0.84	0.77	0.91	0.82	0.76	0.71	0.68
3	0.85	0.73	0.65	0.82	0.72	0.67	0.61	0.58
4	0.77	0.65	0.56	0.75	0.64	0.60	0.53	0.51
5	0.71	0.58	0.48	0.69	0.56	0.53	0.46	0.44
6	0.65	0.51	0.42	0.63	0.51	0.48	0.41	0.39
7	0.61	0.47	0.38	0.59	0.46	0.44	0.37	0.35
8	0.57	0.43	0.34	0.55	0.42	0.40	0.33	0.32
9	0.53	0.39	0.31	0.51	0.38	0.37	0.30	0.29
10	0.49	0.36	0.28	0.48	0.35	0.34	0.27	0.27

Catalog Number:
Notes: