

128 2 x 4 ft.

Lensed Static Troffer,
F-Trim Plaster Ceiling Recessed



FEATURES & SPECIFICATIONS

INTENDED USE

Specification grade F-Trim troffer installs directly in plaster ceilings, with a wide face trim to cover rough-in hole. Troffer is ideal for all commercial and industrial buildings requiring recessed illumination in plaster / sheetrock ceilings.

SIZE W x L x H in inches (mm)

24.75W x 50.44L x 5.12Dp (335 x 1280 x 130)

MATERIALS & FEATURES

Housing is die-formed and embossed code 22 gage steel. Finish is high reflectance baked white enamel. Wiring knockouts are provided on back and end of housing. Ballast cover or reflector snaps into place; no tools required for ballast access. Lens is held with a hinged steel door frame; frame hinges downward on either side and is held closed by two positive cam latches. Premium, full specular reflectors are available as an option to increase efficiency or modify lighting distribution.

- Swing out lugs accessed from below.
- Clear 0.10 thick A12 acrylic lens is standard; many options available.
- Flush steel hinges from either side; field reversible.
- Access plate to simplify installation

MOUNTING

F-Trim for plaster, concealed Z-spline, or wood trim ceilings. Recessed.

ORDERING INFORMATION

STANDARD

Example: **128A24S32W3463LDMV40K**

128	A	24	S32W3463L	DMV	40K
Series		Size	Wattage and Lumen	Driver	Kelvin Temperture
128 Lensed Static Troffer, F-Trim Plaster Ceiling Recessed		14 1 x 4 24 2 x 4	S32W3463L 32 System Watts, 3463 Delivered Lumens S48W4813L 48 System Watts, 4813 Delivered Lumens S57W5448L 57 System Watts, 5448 Delivered Lumens	DMV 0-10V MV ? g†† - Ha†† 120V-277V	35K 3500K 40K 4000K
Lens Material			Reflector		Options
A	Prismatic Acrylic #12 Pattern		(blank) no reflector M20 Mirrored reflector		WP 6 ft. 3 wire 18 gauge whip WP10 6 ft. 4 wire 18 gauge whip
A.125	Prismatic Acrylic #12 Pattern 1/8"				
MW	Matte White Acrylic				
SP1	Specular Parabolic Louver 1/2" x 1/2" x 3/8"				
SP4	Specular Parabolic Louver 3/4" x 3/4" x 1/2"				
SP2	Specular Parabolic Louver 1 1/2" x 1 1/2" x 1"				
PLA	White Cubed Acrylic Louver 1/2" x 1/2" x 3/8"				

Catalog Number:
Notes:

128 2 x 4 ft.

Lensed Static Troffer,
F-Trim Plaster Ceiling Recessed



TEXAS
FLUORESCENTS



ORDERING INFORMATION

HIGH OUTPUT

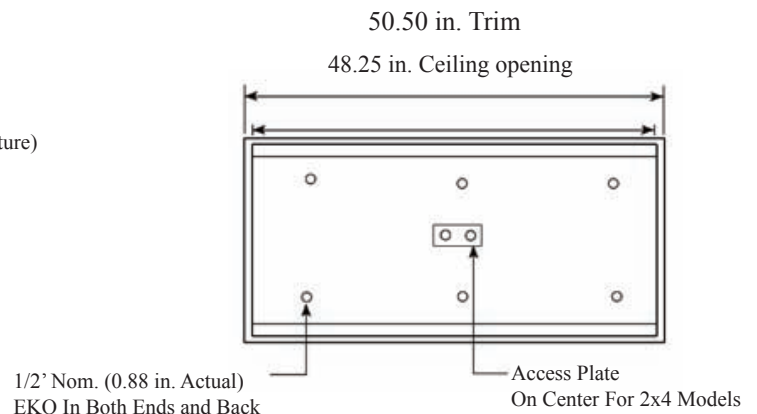
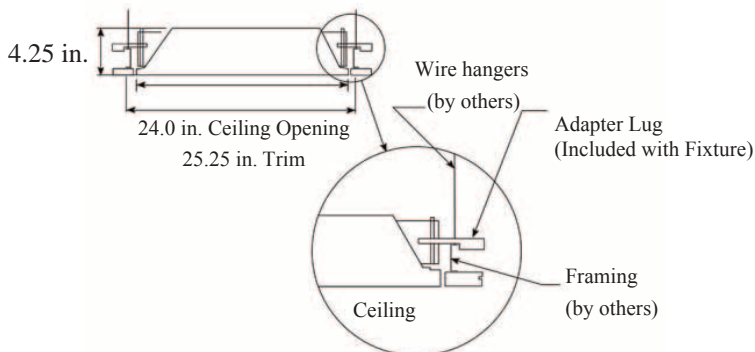
Example: 128A24H81W8667LDMV40K

128	A	24	H81W8667L	DMV	40K
Series		Size	Wattage and Lumen	Driver	Kelvin Temperature
128 Lensed Static Troffer, F-Trim Plaster Ceiling Recessed		14 1 x 4 24 2 x 4	H81W8667L 81 System Watts, 8667 Delivered Lumens	DMV 0-10V MV ? g'f] - Ha'f 120V-277V	0 1 1 1 2 2
Lens Material				Reflector	
A	Prismatic Acrylic #12 Pattern			(blank) no reflector	WP
A.125	Prismatic Acrylic #12 Pattern 1/8"			M20 Mirrored reflector	WP10
MW	Matte White Acrylic				
SP1	Specular Parabolic Louver 1/2" x 1/2" x 3/8"				
SP4	Specular Parabolic Louver 3/4" x 3/4" x 1/2"				
SP2	Specular Parabolic Louver 1 1/2" x 1 1/2" x 1"				
PLA	White Cubed Acrylic Louver 1/2" x 1/2" x 3/8"				

*Consult for more options

DIMENSIONS

All dimensions are inches. Specifications subject to change without notice.



Catalog Number:
Notes:

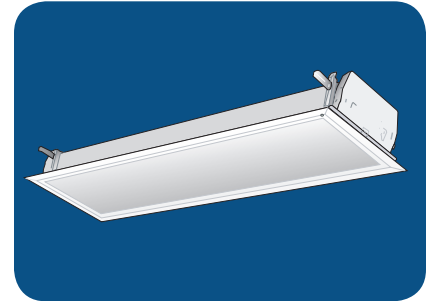


T E X A S

F L U O R E S C E N T S

128 1 x 4 ft.

Lensed Static Troffer,
F-Trim Plaster Ceiling Recessed



FEATURES & SPECIFICATIONS

INTENDED USE

Specification grade F-Trim troffer installs directly in plaster ceilings, with a wide face trim to cover rough-in hole. Troffer is ideal for all commercial and industrial buildings requiring recessed illumination in plaster / sheetrock ceilings.

SIZE W x L x H in inches (mm)

13.25W x 50.44L x 5.12Dp (335 x 1280 x 130)

MATERIALS & FEATURES

Housing is die-formed and embossed code 22 gage steel. Finish is high reflectance baked white enamel. Wiring knockouts are provided on back and end of housing. Ballast cover or reflector snaps into place; no tools required for ballast access. Lens is held with a hinged steel door frame; frame hinges downward on either side and is held closed by two positive cam latches. Premium, full specular reflectors are available as an option to increase efficiency or modify lighting distribution.

- Swing lugs accessed from below
- Clear 0.10thk A12 acrylic lens is standard; many options available.
- Flush steel hinges from either side; field reversible.
- Access plate to simplify installation

MOUNTING

F-Trim for plaster, concealed Z-spline, or wood trim ceilings. Recessed.

ORDERING INFORMATION

STANDARD

Example: 128A14S32W3463LDMV40K

128	A	14	S32W3463L	DMV	40K
Series		Size	Wattage and Lumen	Driver	Kelvin Temperture
128 Lensed Static Troffer, F-Trim Plaster Ceiling Recessed		14 1 x 4 24 2 x 4	S32W3463L 32 System Watts, 3463 Delivered Lumens S48W4813L 48 System Watts, 4813 Delivered Lumens S57W5448L 57 System Watts, 5448 Delivered Lumens	DMV 0-10V MV ? gffl - Half 120V-277V	35K 3500K 40K 4000K
Lens Material			Reflector	Options	
A	Prismatic Acrylic #12 Pattern		(blank)	no reflector	
A.125	Prismatic Acrylic #12 Pattern 1/8"		M20	Mirrored reflector	
MW	Matte White Acrylic				
SP1	Specular Parabolic Louver 1/2" x 1/2" x 3/8"				
SP4	Specular Parabolic Louver 3/4" x 3/4" x 1/2"				
SP2	Specular Parabolic Louver 1 1/2" x 1 1/2" x 1"				
PLA	White Cubed Acrylic Louver 1/2" x 1/2" x 3/8"				
			WP		6 ft. 3 wire 18 gauge whip
			WP10		6 ft. 4 wire 18 gauge whip

* Consult for more options

Catalog Number:
Notes:

