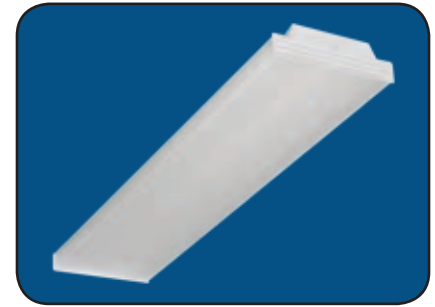


200 Series

Specification Grade Wraparound



FEATURES & SPECIFICATIONS

INTENDED USE

The 200 Series combines the desirable characteristics of the traditional wraparound with an extremely low silhouette to provide a specification luminaire for the conservative budget. Engineered to provide comfortable brightness values in the direct glare zone, the 200 Series is available in two, four and eight foot lengths and is an ideal series for schools, stores and offices. The upright component adds to its attractiveness as well as efficiency.

SIZE W x L x H in inches (mm)

2 Lamp - 11.25W x 24.0L x 3.4Dp (2ft.)

2 Lamp - 15.8W x 24.0L x 3.4Dp (2ft.)

4 Lamp - 11.25W x 48.0L x 3.4Dp (4ft.)

4 Lamp - 15.8W x 48.0L x 3.4Dp (4ft.)

LAMP

2 or 4 lamp positions

CONSTRUCTION

Body and ends are die blanked, pierced and formed of 20 gauge cold rolled prime steel for rigidity and uniformity. Forming of the housing has been engineered to provide added strength along its entire length. Socket bars and wireway covers snap in place for easy installation and maintenance.

ELECTRICAL

Unless otherwise specified, ballasts are rapid start class "P" thermally protected, H.P.F., CBM-ETL. Optional ballasts available include: energy saving (ESB), electronic (ELB), dimming (DIM), low temperature (LW). Standard voltage on all fixtures is 120V 60Hz AC, or as specified. Sufficient knockouts are provided on the back and ends for all connections and through wiring. All fixtures bear U.L. labels.

DIFFUSERS

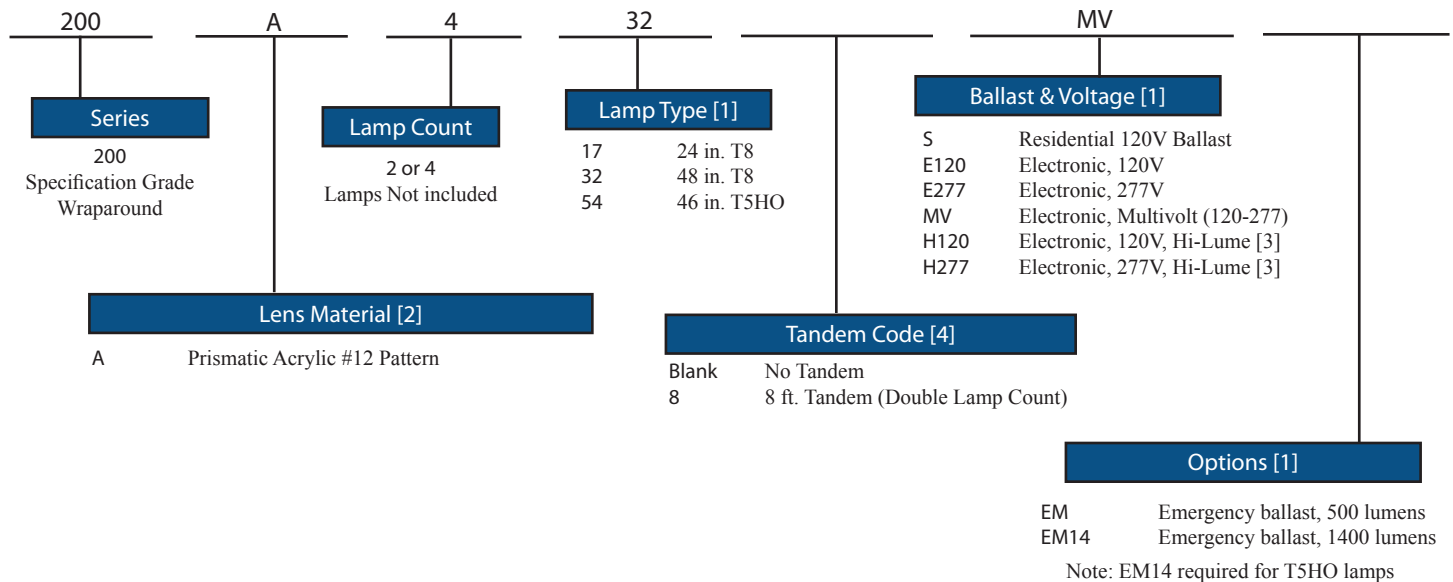
A crystal clear diffuser extruded from 100% virgin acrylic that will maintain its color under normal conditions, indefinitely. Linear prisms on the interior side walls direct the light ceilingwards, which can then refract back down. The bottom is composed of an evenly spaced pattern of conical prisms yielding low brightness, glarefree diffused light. Diffuser is lift and shift for ease of relamping and cleaning and is capable of hanging down from either side of the housing.

LISTING

Fixture & Ballast: UL Listed Ballast: Thermally protected, class P, HPF, Non PCB

ORDERING INFORMATION

Example: 200A432MV



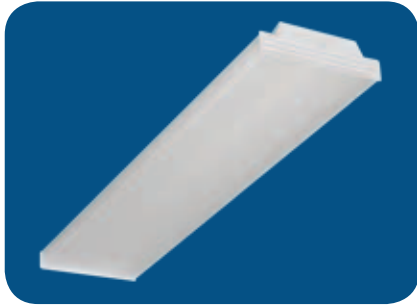
Notes

- [1] See end of T02SURF for many additional lamps, ballasts, finishes, and options.
- [2] Custom louvers available in any cell configuration. Consult factory for additional information.
- [3] HiLume and LoLume ballasts available for T8 lamps only.
- [4] Consult factory for custom finishes.

Catalog Number:
Notes:

200 Series

Specification Grade Wraparound

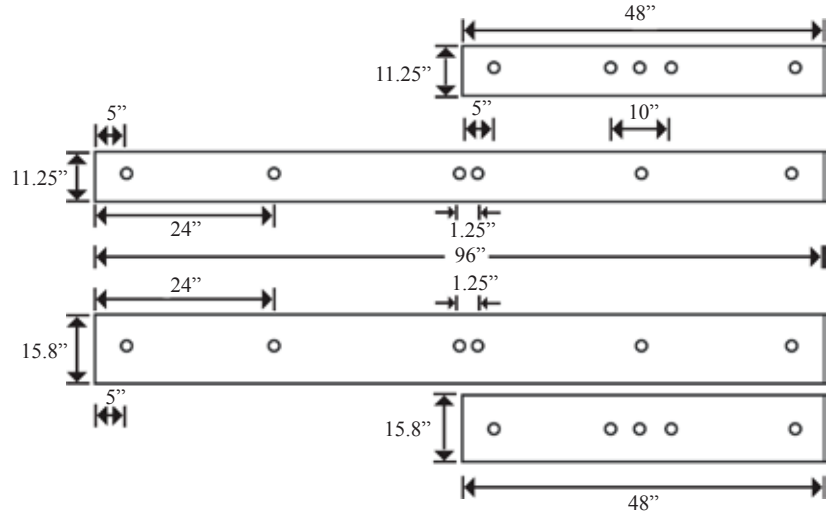
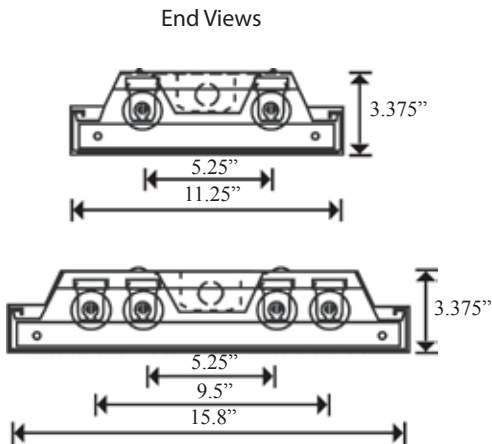


DIMENSIONS

All dimensions are inches. Specifications subject to change without notice.

Location of Knockouts On Top Of Housing

All knock outs 7/8" unless noted otherwise



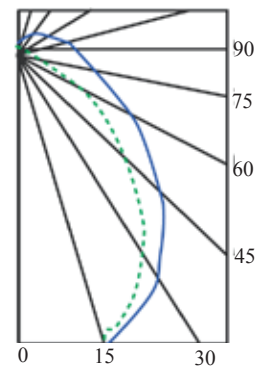
PHOTOMETRICS

Calculated using the zonal cavity method in accordance with IESNA LM41 procedure. Lamp configurations shown are typical. Photometric data on these and other configurations available upon request.

Coefficients of Utilization 2-Lamp - 40 Watt

Floor	20%	20%	20%	20%	20%	20%	20%	20%	20%
Ceiling	80%	80%	80%	70%	70%	70%	50%	50%	50%
Wall	70%	50%	30%	70%	50%	30%	50%	30%	10%
RCR	Zonal cavity coefficients			200A240		Spacing ratio.			
						Along 1.2	Across 1.3		
1	0.69	0.66	0.63	0.67	0.64	0.62	0.63	0.61	0.59
	0.66	0.63	0.60	0.65	0.62	0.59	0.61	0.59	0.57
3	0.64	0.60	0.58	0.62	0.58	0.55	0.59	0.55	0.53
4	0.61	0.57	0.53	0.59	0.56	0.52	0.56	0.53	0.51
5	0.58	0.53	0.49	0.56	0.52	0.49	0.53	0.50	0.47
6	0.53	0.48	0.44	0.51	0.47	0.43	0.48	0.45	0.42
7	0.49	0.44	0.40	0.48	0.43	0.39	0.45	0.41	0.38
8	0.44	0.38	0.34	0.43	0.38	0.34	0.41	0.36	0.33
9	0.38	0.33	0.29	0.39	0.34	0.28	0.36	0.31	0.28
10	0.30	0.25	0.21	0.29	0.24	0.21	0.28	0.24	0.21

Distribution Curve



Catalog Number:
Notes: