

23 Series

Direct/Indirect

Wall Mount/ Surface Mount Linear Fixture



FEATURES & SPECIFICATIONS

INTENDED USE

This Mini 2"X4" linear Pendant provides a bold look from a small fixture. Mounted from cable or surface mounted this fixture can be used individually or joined together for longer runs. End caps can be removed to join two fixtures together. Fixtures come standard in white and can be powder coated in Silver, Red, Iron or Black. Consult for custom color. This fixture is ideal for both general lighting in row configurations or spaced evenly apart or for task lighting over what you want to say "look here."

SIZE W x L x H in inches (up or down light)

4ft. - 2.066" x 48" x 3.534"

8ft. - 2.066" x 96" x 3.534"

SIZE W x L x H in inches (up and down light)

4ft - 2.066" x 48" x 4.50"

8ft - 2.066" x 96" x 4.50"

LAMP

1 or 2 lamps position

CONSTRUCTION

Rugged steel housing with anti-rust protection powder coated white. Custom paint finishes available.

MOUNTING

Mount with 4' adjustable cable (2 for 4' unit or 8' unit, included). Consult factory for longer cables. Surface mount.

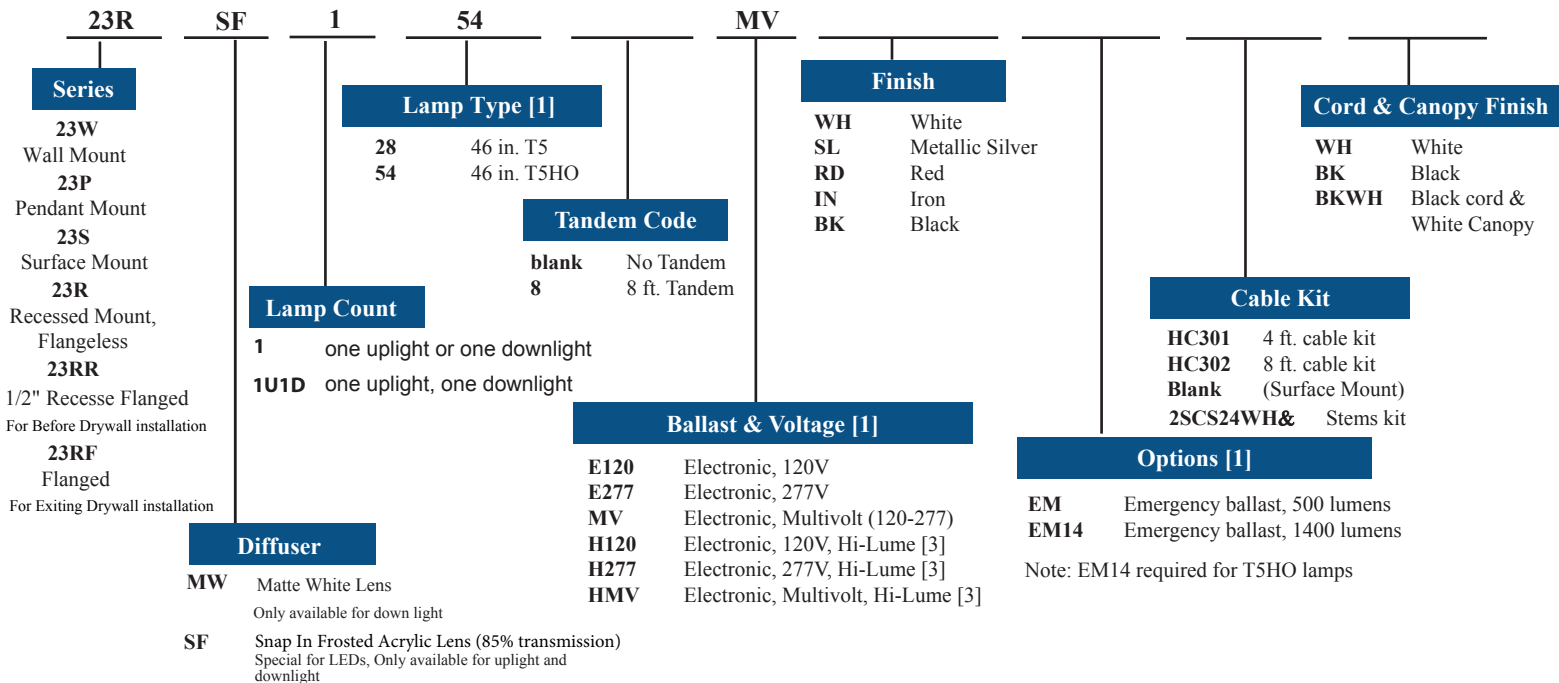
DIFFUSER

Choice of diffuser including matte white lens or specular parabolic louver 1/2" x 1/2" x 3/8". Consult for baffled/louver.

TYPICAL OPTIONS AND ACCESSORIES

Emergency ballasts, Cord sets, whips, occupancy sensors Hanging kits, Wire guards. Contact factory for additional options.

Example: 23RSF154MVWH



*Consult for Baffled / Louver

Notes

- [1] See end of T02LINEAR for many additional lamps, ballasts, finishes, and options.
- [2] Custom louvers available in any cell configuration. Consult factory for additional information.
- [3] HiLume and LoLume ballasts available for T8 lamps only.

Catalog Number:
Notes:

23 Series

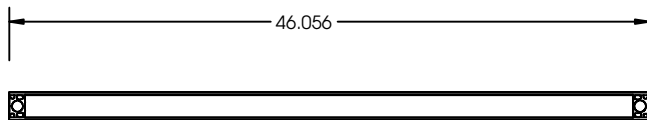
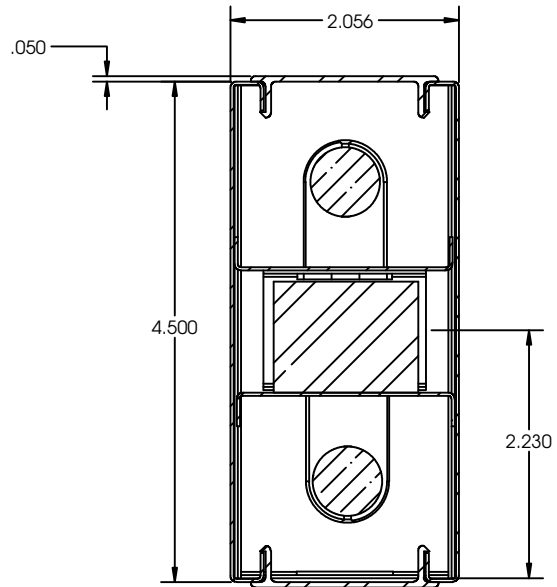
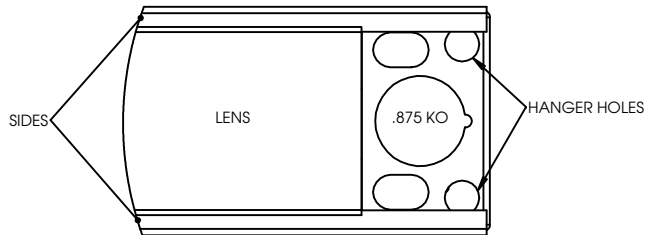
Direct/Indirect
Wall Mount/ Surface Mount Linear Fixture

DIMENSIONS

All dimensions are inches. Specifications subject to change without notice



Side View



Catalog Number:
Notes: