

4RB Series

48 in. Ballast Cover Retrofit Kit

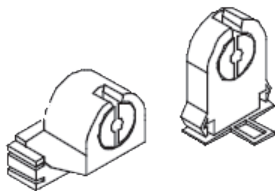
FEATURES & SPECIFICATIONS

INTENDED USE

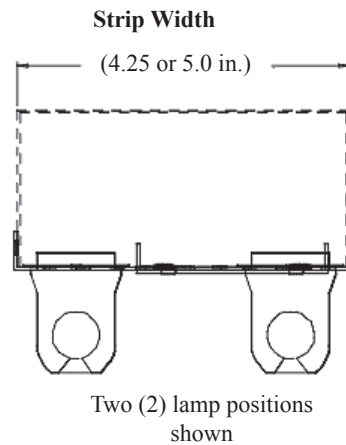
Ballast retrofit kit, 48 in. long, converts an existing strip to carry standard lamps. Material is die-formed 22 gage steel, with high reflectance baked white enamel finish. TEK screws are provided to attach retrofit ballast cover to an existing channel. Ballast and mounting plate may be removed for service without distributing 48 in. cover. Available with lamp holders that convert a 48 in. T8 strip to hold T5 or T5HO lamps.

KIT INCLUDES

- (1) 48 in. Ballast cover with lamp holder cut outs
- (1) Ballast mounting plate
- Short Lamp Holders (style & quantity as specified)
- (8) #8 x 3/8" TEX mounting screws

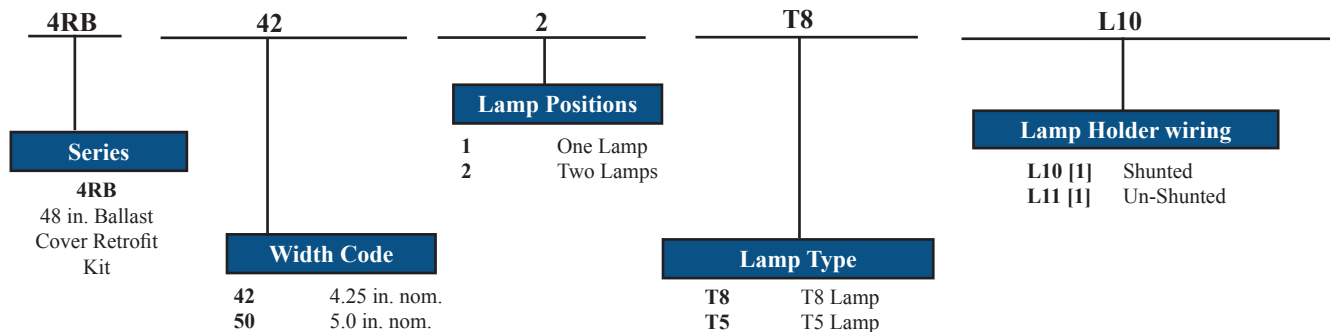


T5 Style lamp holder on left covers 48 in. body to correct length for T5 lamp.
T8 style lamp holder shown on right.



ORDERING INFORMATION

Example: **4RB422T8L10**



[1] Shunted lamp holders (L10) are suitable for instant start ballasts, un-shunted (L11) for rapid or pro start ballasts.

[2] Most T5 & T5HO ballasts are rapid or pro start.

Catalog Number:
Notes: