



F601AL • INCANDESCENT
6" INCANDESCENT HOUSING

PROJECT INFORMATION

Type

Project

Catalog #

Lamp/Wattage

Notes

CONSTRUCTION

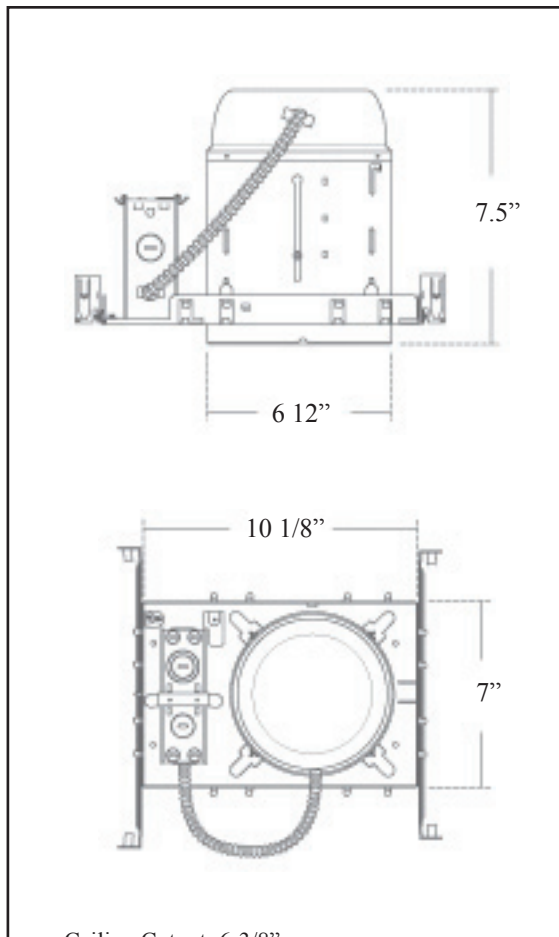
Socket Plate • Galvanized steel socket plate adjusts inside housing for optimum light performance. A standard single medium base porcelain socket with a protective cap that comes pre-inserted to protect the socket interior during the construction phase.

Housing • .041 steel housing adjusts to maximum ceiling thickness 1 3/4" (45mm) High quality galvanized steel plaster frame.

Junction Box • Galvanized steel with five 1/2 and two 3/4" knockouts and four true romex pryouts. Strain clamps and ground wire.

Thermal Protector • Equipped with safety standard UL thermal protector rated for 90°C.

Mounting • Supplied with two nail-less bar hangers adjustable from 14 to 24" with 90° repositioning feature.



Energy Efficient:

The F601AL fully gasketed, energy efficient air-tight design prevents air-flow from air conditioned or heated spaces. Globe air-tight energy efficient recessed lighting is the ideal alternative for controlling escalating energy cost.

Ordering Information

Item Number	Description
F601AL	IC Airtight 90W Max

Aperture: Nominal 6"
Ceiling Cutout: 6-3/8"
Maximum Ceiling Thickness: 1-3/4"
Maximum Wattage: 90W BR40

Codes

Rated for direct contact with insulation
WSEC approved housing for restricted airflow
UL listed for through branch circuit wiring
UL listed for damp locations

Texas Fluorescents
2055 Luna Rd. Suite 142 Carrollton, TX 75006
Phone: 972-247-3171 Fax: 972-247-0200
www.texasfluorescents.com email: sales@texasfluorescents.com

Catalog Number: _____

Notes: _____