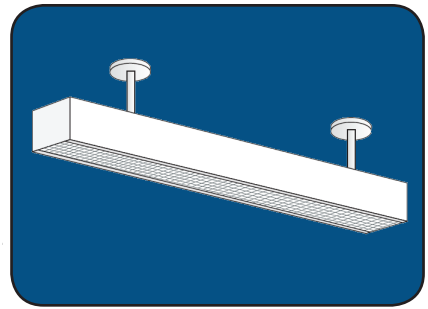


# 66 Series

Direct / Indirect Linear Fixture



## FEATURES & SPECIFICATIONS

### INTENDED USE

A linear 6 x 6 surface-mounted fixture for distinctive architectural lighting plans. Ideal for corridors, lobbies, and office areas, 6 x 6 Series fixtures can be installed individually or in group patterns.

### SIZE W x L x H in inches (mm)

4ft. - 6" x 48" x 6"

8ft. - 6" x 96" x 6"

### LAMP

2 or 4 lamp positions

### HOUSING

Die-formed and welded 20-gauge cold rolled steel. Knockouts on ends allow continuous wireway mounting. A 1/2" regressed flange at the bottom insures uniformity and rigidity. Uplight fixtures have two rows of 1/2" x 4" apertures along the top of the housing to provide approximately 12% uplight for ceiling illumination.

### DIFFUSERS (not included)

Fixture accepts various lenses or louvers. Optional welded light-leak hinges are available on ends. 6' and 8' units have a steel mullion to join two individual diffusers.

### MOUNTING

Fixtures can be surface mounted to the ceiling or pendant hung by stem or cable. Welded heavy gauge steel flanges can be ordered to accept 3/8" threaded stems. Alignment brackets are available for continuous row mounting.

### LISTING

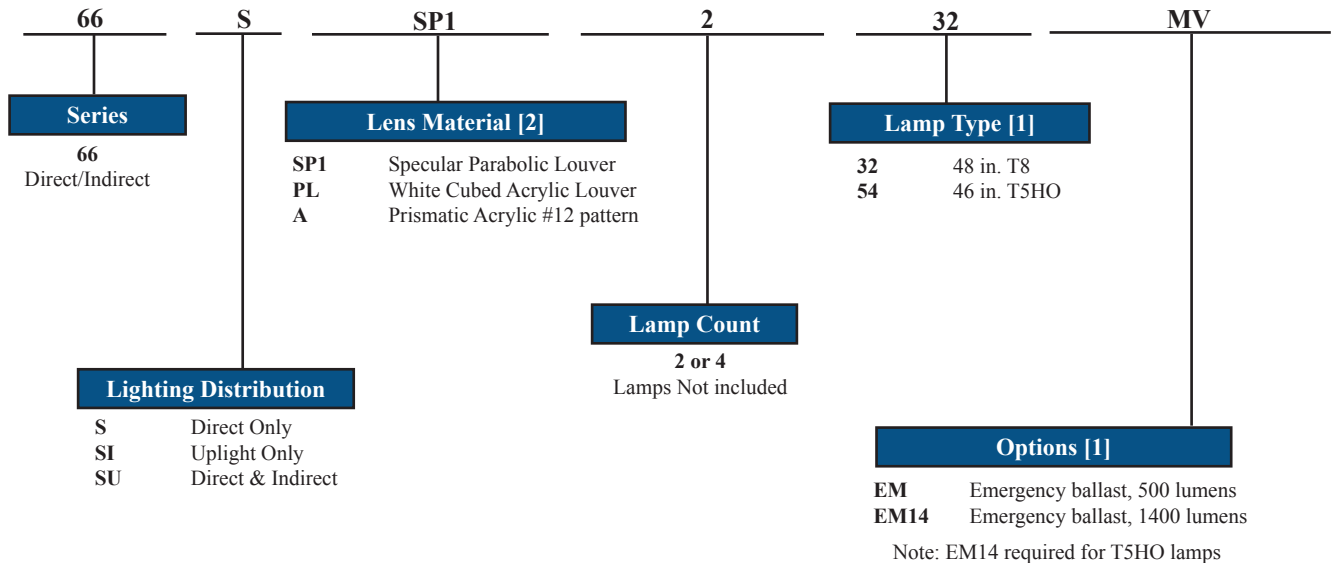
Fixtures conform to Underwriters' Laboratories standards for production and are carefully tested prior to packing.

### TYPICAL OPTIONS AND ACCESSORIES

Emergency ballasts, Cord sets, whips, occupancy sensors Hanging kits, Wire guards. Contact factory for additional options.

## ORDERING INFORMATION

Example: 66SSP1232MV



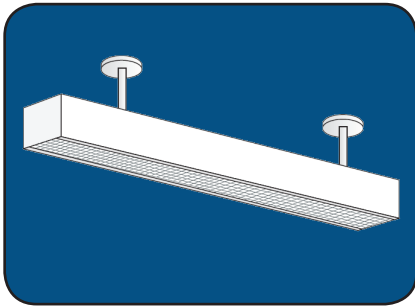
### Notes

- [1] See end of T02LINEAR for many additional lamps, ballasts, finishes, and options.
- [2] Custom louvers available in any cell configuration. Consult factory for additional information.
- [3] HiLume and LoLume ballasts available for T8 lamps only.

Catalog Number:
Notes:

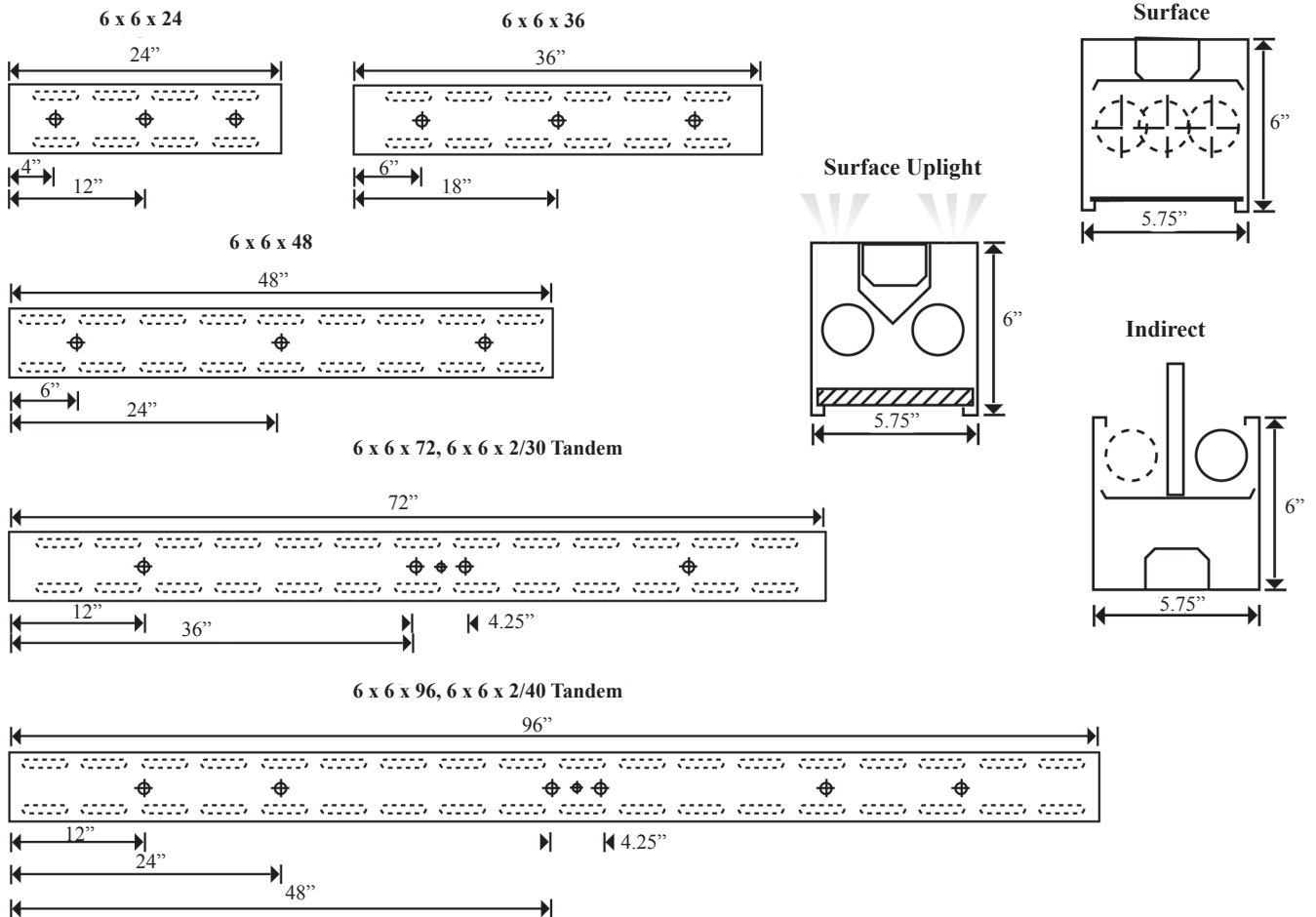
# 66 Series

Direct / Indirect Linear Fixture



## DIMENSIONS

All dimensions are inches. Specifications subject to change without notice.



Catalog Number:
Notes: