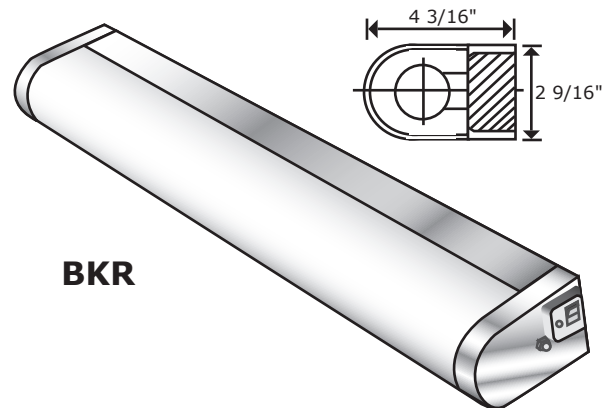
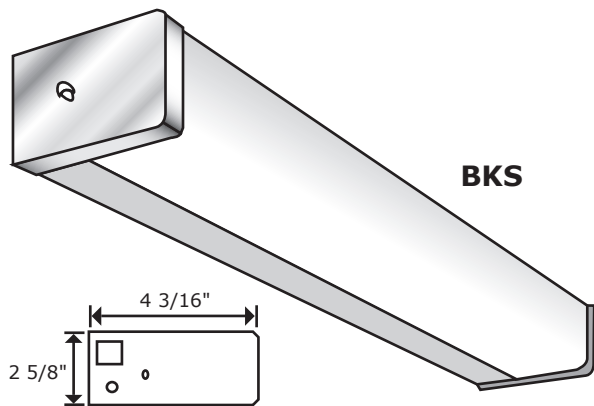


Wall Mount Series BKR & BKS



Application

Superbly designed wall brackets for kitchens, bathrooms, office areas, etc.

FEATURES & SPECIFICATIONS

Attributes

Wraparound smooth white polystyrene lens also available in acrylic. Chrome bodies and ends are available - add CH to end of part number for complete chrome fixture and CHE for chrome ends only.

Listing

Fixtures conform to Underwriters' Laboratories standards for production and are carefully tested prior to packing.

ORDERING INFORMATION

SERIES BKR			ELECTRONIC	
Part Number	Bulb	Size	Part Number	Bulb
BKR115	1-F15T12	18-1/4" X 2-9/16" X 4-3/16"	BKR115EL	1-F15T12
BKR120	1-F20T12	24-1/4" X 2-9/16" X 4-3/16"	BKR117	1-F17T8
BKR130	1-F30T12	36-1/4" X 2-9/16" X 4-3/16"	BKR125	1-F25T8
BKR140	1-F40T12	48-1/4" X 2-9/16" X 4-3/16"	BKR132	1-F32T8

SERIES BKS			ELECTRONIC	
Part Number	Bulb	Size	Part Number	Bulb
BKS115	1-F15T12	18-3/8" X 2-5/8" X 4-3/16"	BKS115EL	1-F15T12
BKS120	1-F20T12	24-3/8" X 2-5/8" X 4-3/16"	BKS117	1-F17T8
BKS130	1-F30T12	36-3/8" X 2-5/8" X 4-3/16"	BKS125	1-F25T8
BKS140	1-F40T12	48-3/8" X 2-5/8" X 4-3/16"	BKS132	1-F32T8

(972) 247-3171

Factory/Warehouse • 2055 Luna Road • Suite 142 • Carrollton, TX 75006

(972) 247-3171 Phone • (972) 247-0200 Fax

Email sales@texasfluorescents.com

Look For Complete Internet Catalog • www.texasfluorescents.com