

BKV Series

Wall Mount, 2 Lamp Rounded Front



FEATURES & SPECIFICATIONS

INTENDED USE

The BKV is a specification grade wall mount for the bath, stairwells, office, and “over the bed” applications, and is distinguished by excellent lighting distribution and craftsmanship. The rounded front plane provides aesthetic appeal.

SIZE W x L x H in inches (mm)

3.25H x 5.50W (85 x 140)

Available in 24, 36, and 48in (610, 915, 1220) lengths

LAMP

2 lamp positions

MOUNTING

Direct wall mount.

MATERIALS & FEATURES

Housing is die-formed and embossed code 22 gage steel. Standard finish is high reflectance baked white enamel; chrome ends or full chrome body are available as an option. Wiring knockouts are provided on back of housing. Lens is fully captured by end plate. End cap held in place with acorn nut.

- Standard high reflectance white finish with smooth white lens
- Chrome body, or chrome ends only finishes available.
- Options include prismatic lens, special ballasts, pull chain switches, and convenience outlets.

LISTING

Fixture & Ballast: UL Listed

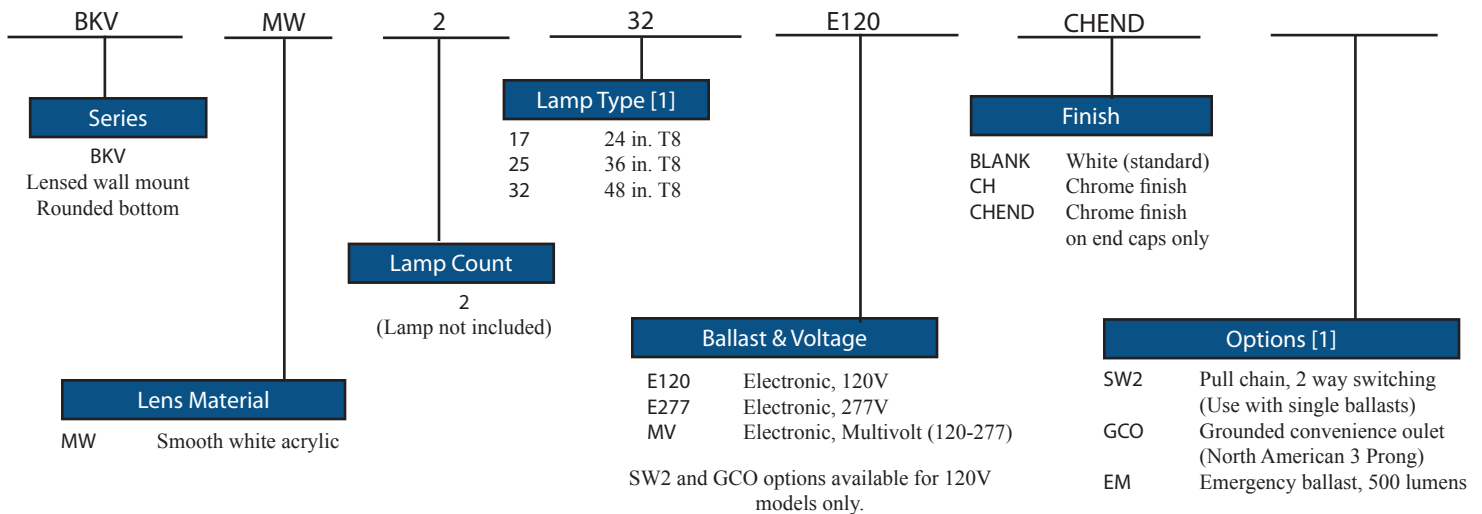
Ballast: Thermally protected, class P, HPF, Non PCB

TYPICAL OPTIONS AND ACCESSORIES

Custom finishes, pull chains, convenience outlets, and Emergency ballasts. See options page at the end of the T02WallF section, or contact factory for more details.

ORDERING INFORMATION

Example: BKVMW232E120CHEND



Notes

[1] See end of T02WALL for many additional lamps, ballasts, finishes, and options.

Catalog Number:

Notes:

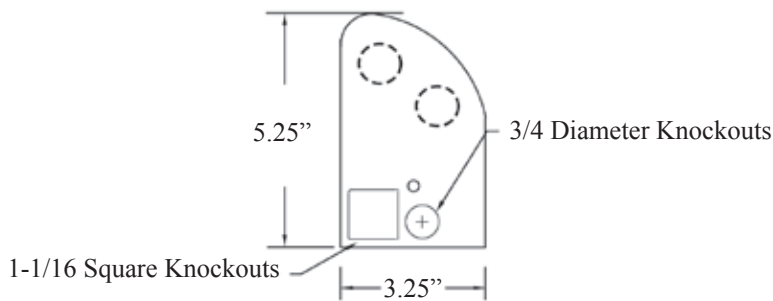
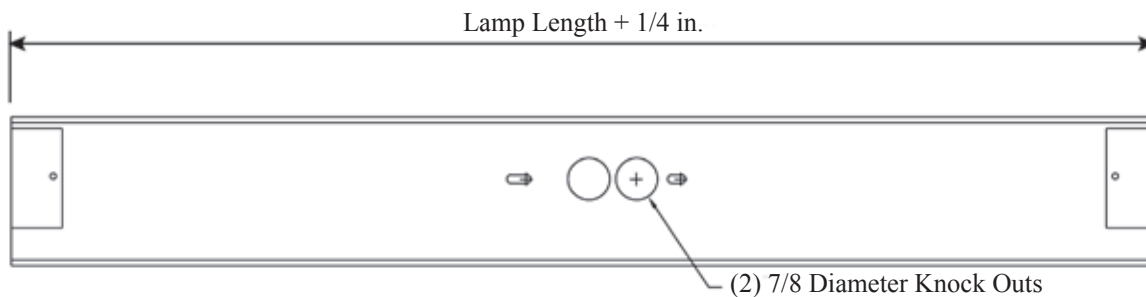
BKV Series

Wall Mount, 2 Lamp Rounded Front



DIMENSIONS

All dimensions are inches. Specifications subject to change without notice.



Catalog Number:
Notes: