

Series CCFS

PL Cove Fluorescent Lighting

FEATURES & SPECIFICATIONS

- Ideal for indirect lighting in curved spaces
- Overlapping lamps for shadow-free light at close distances from illuminated surface
- Uses long, high-output lamps for maximum lumens per ballast
- Listed for damp location
- 10% dimming with standard dimming ballasts (consult factory for 5% dimming)

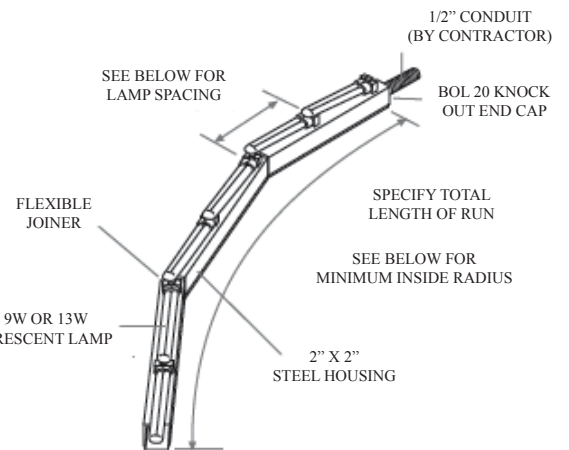
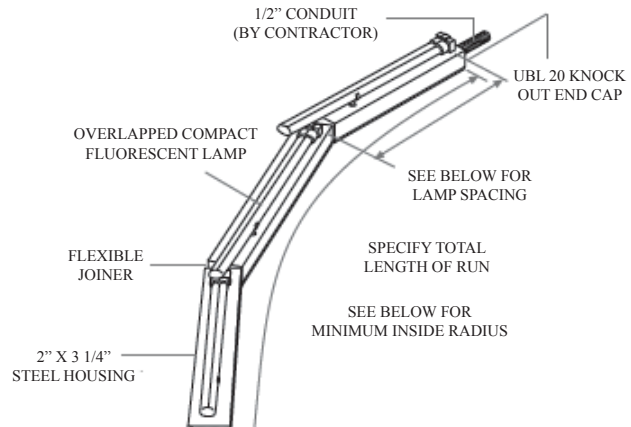
LAMP SELECTION

TYPE: COMPACT FLUORESCNT

BRANDS: GE "HIGH LUMEN BIAX," PHILLIPS "PL-L," OSRAM "DULUX-L"

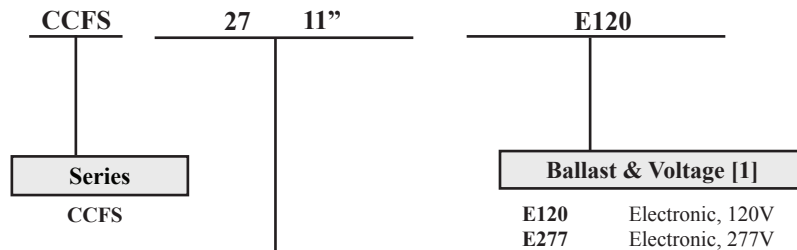
WATTS	LENGTH	BASE	RATED HRS.	LUMENS	COLOR TEMP.	CRI
9W (4 PIN)	5.7"	2G7	10000	580	2700-4100	82
13W (4 PIN)	6.2"	2GX7	10000	820	2700-4100	82
18W	10.5"	2G11	12000-20000	1160-1250	3000-6500	82
27W/24W	12.8"	2G11	12000	1800	3000-4100	82
39W/36W	16.5"	2G11	12000	2850-2900	3000-4100	82
40W	22.5"	2G11	20000	2900-3300	3000-5000	82
50W	22.5"	2G11	14000	4000-4300	4000-4300	82

Refer to manufacturers' catalog for full selection and details.
LAMPS NOT INCLUDED



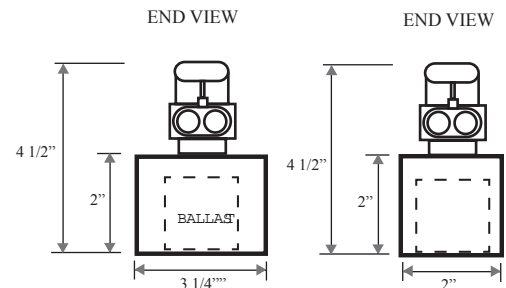
ORDERING INFORMATION

Example: CCFS 27 11 E120



Lamp Wattage & Spacing	
19W	4" on center (18" minimum inside radius)
13W	4" on center (18" minimum inside radius)
18W	9" on center (21" minimum inside radius)
27W/24W	11" on center (25" minimum inside radius)
39W/36W	15" on center (34" minimum inside radius)
40W	20" on center (46" minimum inside radius)
50W	20" on center (46" minimum inside radius)

DIMENSIONS



Notes

- [1] See end of T02Harsh section for many additional lamps, ballasts, finishes, and options.
[2] Tandem doubles length and lamp count. Same lamps in cross section, additional lamps end to end.

Catalog Number:

Notes: