

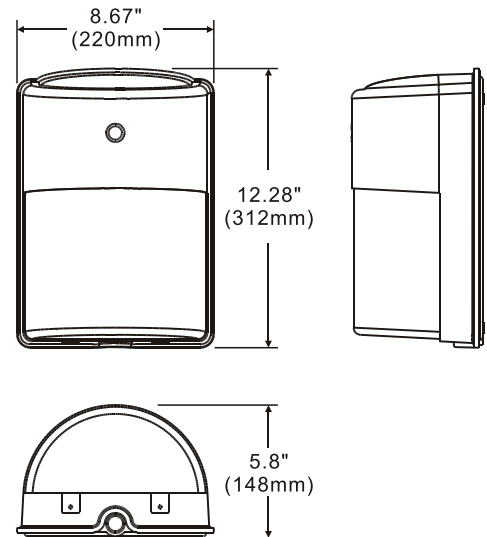
The Wall Pack is commonly used for security fixtures because of the versatility for indoor and outdoor application. It offers the final touch up to the architectural lighting system. Light up the building facade, highlighting an entry or providing the ambient lighting. With the variety of optical systems, housing design and lamp source, it provides choices to meet any architectural application.



FEATURES & SPECIFICATIONS

- High impact polycarbonate lens and housing
- Rugged, heavy-duty, die-cast aluminum back plate
- Semi specular finished reflector
- Intelligence mounting template
- UL listed for Wet Location

DIMENSIONS



ORDERING INFORMATION

ITEM NO.	SIZE (W x H x D)	LAMPING
DC052-70MH-120-LP	8.7" x 12.3" x 5.2"	70 Watt Metal Halide
DC052-70HPS-120-LP	8.7" x 12.3" x 5.2"	70 Watt High Pressure Sodium
DC052-100HPS-120-LP	8.7" x 12.3" x 5.2"	100 Watt High Pressure Sodium
DC052-2PL42-MV-LP	8.7" x 12.3" x 5.2"	(2) 42 Watt TTT- 4Pin