



Project: \_\_\_\_\_

Type: \_\_\_\_\_

Catalog #: \_\_\_\_\_

## Model DEM

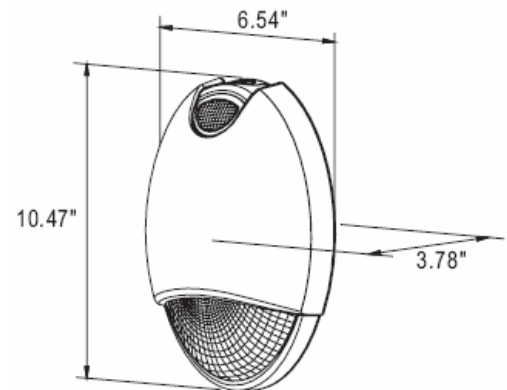
### Decorative Emergency Light

#### Features

- Low-profile, decorative die-cast, emergency fixture
- Standard bronze finish
- Integrated test switch/pilot light
- Polycarbonate lens and mirrored reflector for maximum illumination
- Two 6W Xenon lamps offer more light output than standard incandescent lamps
- NiCad battery standard
- Universal transformer for 120 or 277 VAC
- Automatic, low voltage disconnect (LVD)
- Designed for wall mount or conduit through the top
- Standard operating temperature 32°F to 122°F
- Cold weather option - operating temperature to -40°F
- Self-diagnostic option available
- Remote version available
- Listed for Wet Location



#### Dimensions



- Optional photocell available – operates additional decorative color LED's at night (LED's do not operate while in emergency mode)

Ordering Information			
Series	Housing Color	Options	LED Color (Only w/ PCL Option)
DEM-	BR – Bronze <i>(Standard)</i> W – White B – Black N – Nickel	– REM - Remote unit (no battery) – SD - Self Diagnostics – CW - Cold weather package – PCL - Photocell / LED function (Specify LED Color)	W – White G – Green B – Blue A – Amber

#### Housing Finishes

