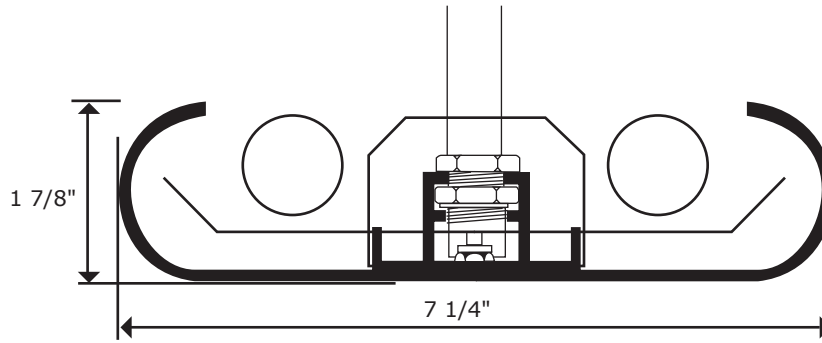


Direct/Indirect Fixture Series ESOV



Application

The ESOV fixture is the slimmest oval available. The ESOV is ideal for low ceiling applications, but efficient enough for high ceiling retrofits.

FEATURES & SPECIFICATIONS

Attributes

All ESOV fixtures have powder coated housings, with precision-formed, high reflectance, enamel reflectors for optimal optic efficiency.

Construction

Fixture Chassis extruded of aluminum alloy, with .125 nominal wall thickness. Internal construction of 20 gauge, die formed CRS.

Mounting

Standard Pendant (P) stem is 3/8 IPS, 24" long with 5" Dia. canopy. Canopy to cover 4" junction box. Swivel Pendant with 45 degree Limit (SP). Adjustable length Aircraft Cable (AC) assembly has 48" cable, 5" Dia. Canopy with cord for power locations.

Diffuser

The standard fixture is open for optimal indirect illumination.

Electrical

Unless otherwise specified, ballasts are rapid start, class "P" thermally protected, H.P.F., CBM-ETL. Optional ballasts available include: energy saving (ESB), electronic (ELB), dimming (DIM), low temperature (CW). Standard voltage on all fixtures is 120V 60HZ AC, or as specified. Sufficient knockouts are provided on the back for all connections and through wiring.

Finish

Standard fixtures are polyester powder-coated Matte White. Reflective internal components are finished in high gloss white enamel (Minimum Reflectance Factor 90%). Custom colors are available upon request.

Listing

Fixtures conform to Underwriters' Laboratories standards for production and are carefully tested prior to packing.

CALL TO SPECIAL ORDER

(972) 247-3171

Factory/Warehouse • 2055 Luna Road • Suite 142 • Carrollton, TX 75006

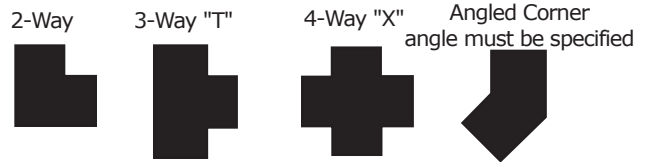
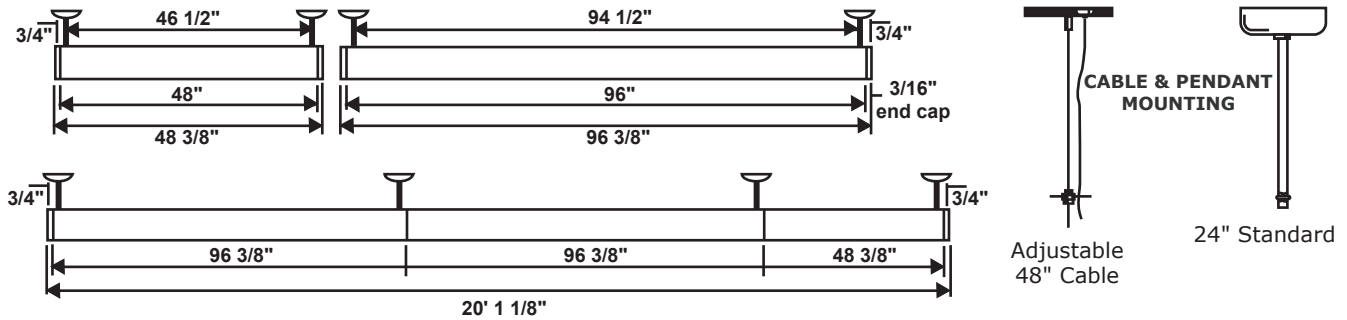
(972) 247-3171 Phone • (972) 247-0200 Fax

Email sales@texasfluorescents.com

Look For Complete Internet Catalog • www.texasfluorescents.com

Direct/Indirect Fixture Series ESOV

DIMENSIONS

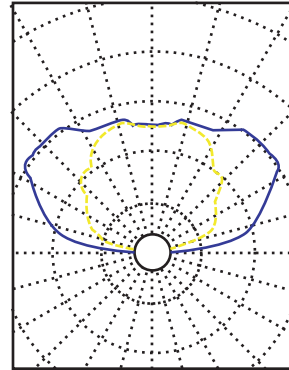


PHOTOMETRICS

Coefficients of Utilization

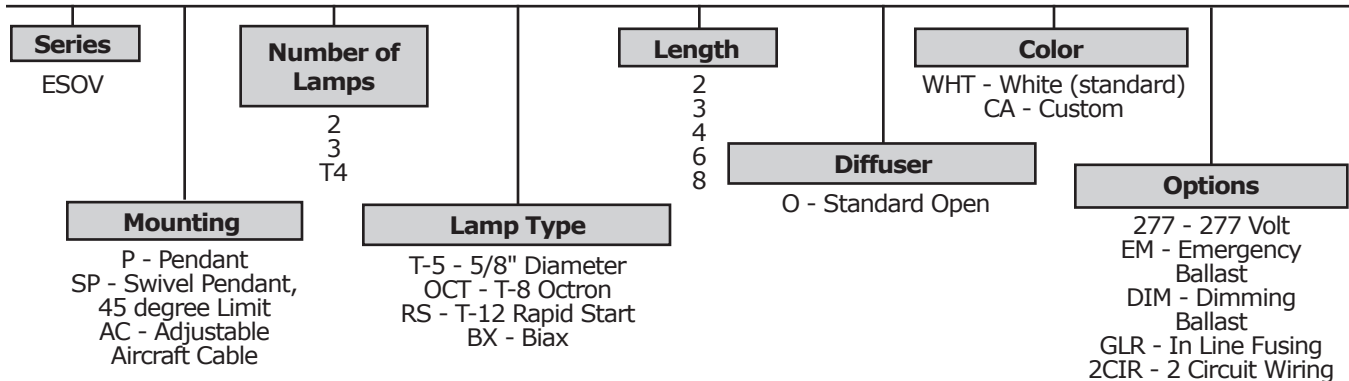
RCR	RC	.80			.70			.50		
	RW	.70	.50	.30	.70	.50	.30	.50	.30	.10
1		.73	.70	.67	.63	.60	.59	.42	.39	.37
2		.68	.61	.56	.56	.52	.49	.36	.34	.32
3		.61	.55	.47	.51	.46	.42	.31	.29	.28
4		.55	.47	.41	.46	.40	.36	.28	.25	.23
5		.50	.42	.35	.42	.36	.32	.25	.21	.19
6		.45	.36	.31	.39	.32	.28	.22	.18	.16
7		.42	.32	.26	.34	.28	.23	.20	.16	.14
8		.37	.30	.23	.32	.23	.19	.18	.13	.12
9		.33	.26	.20	.30	.22	.18	.15	.12	.11
10		.31	.23	.16	.28	.20	.17	.14	.10	.08

Candella Distribution



ORDERING INFORMATION

Example: ESOV-AC-3/OCT-4-O-WHT-277



(972) 247-3171

Factory/Warehouse • 2055 Luna Road • Suite 142 • Carrollton, TX 75006

(972) 247-3171 Phone • (972) 247-0200 Fax

Email sales@texasfluorescents.com

Look For Complete Internet Catalog • www.texasfluorescents.com