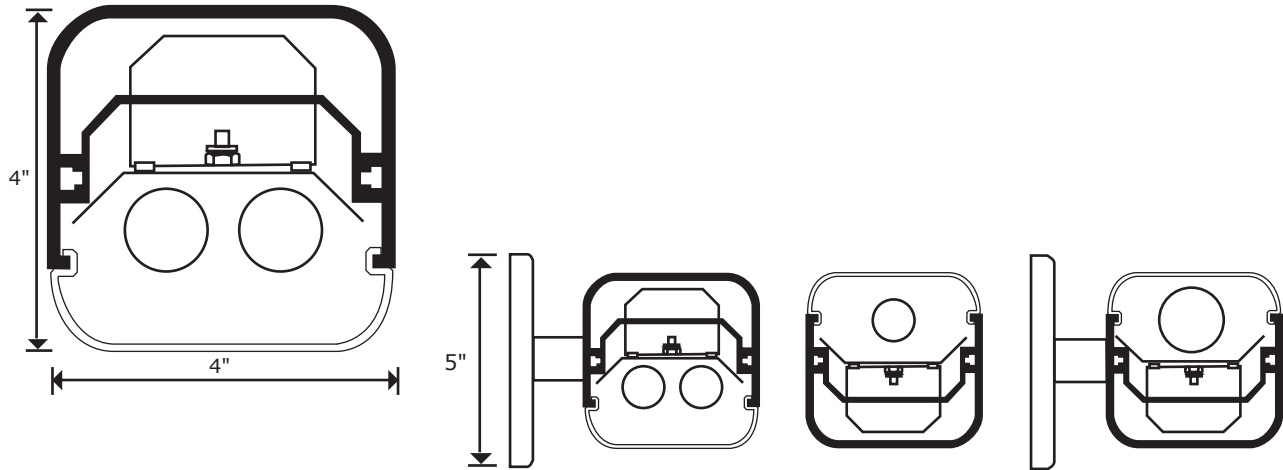


Direct/Indirect Fixture Series ESS4



Application

Series ESS4 "Soft Square" fixture with its compact profile, is available with the latest lamp options, for light distribution to fit almost all requirements. Companion wall sconces, using compact lamps can be created as well, for a coordinated look.

FEATURES & SPECIFICATIONS

Attributes

All ESS4 fixtures have powder coated housings, with precision-formed, high-reflectance, enamel reflectors for optimal optic efficiency.

Construction

Fixture Chassis extruded of aluminum alloy, with .125 nominal wall thickness. Internal construction of 20 gauge, die formed CRS.

Mounting

Standard Pendant (P) stem is 3/8 IPS, 24" long with 5" Dia. canopy. Adjustable length Aircraft Cable (AC) assembly has 48" cable, 5" Dia. Canopy with cord for power locations. Wall mounted fixtures (W) have box with 5" Dia. Canopy to cover 4" junction box.

Diffuser

The standard diffuser is an extruded, acrylic, linear prismatic lens.

Electrical

Unless otherwise specified, ballasts are rapid start, class "P" thermally protected, H.P.F., CBM-ETL. Optional ballasts available include: energy saving (ESB), electronic (ELB), dimming (DIM), low temperature (CW). Standard voltage on all fixtures is 120V 60HZ AC, or as specified. Sufficient knock-outs are provided on the back for all connections and through wiring.

Finish

Standard fixtures are polyester powder-coated White. Reflective internal components are finished in high gloss white enamel (Minimum Reflectance Factor 90%). Custom colors available upon request.

Listing

Fixtures conform to Underwriters' Laboratories standards for production and are carefully tested prior to packing.

CALL TO SPECIAL ORDER

(972) 247-3171

Factory/Warehouse • 2055 Luna Road • Suite 142 • Carrollton, TX 75006

(972) 247-3171 Phone • (972) 247-0200 Fax

Email sales@texasfluorescents.com

Look For Complete Internet Catalog • www.texasfluorescents.com

