

HOUSING

.041 steel housing adjust to maximum ceiling thickness 1 3/4" (45 mm). High quality galvanized steel plaster frame.

JUNCTION BOX

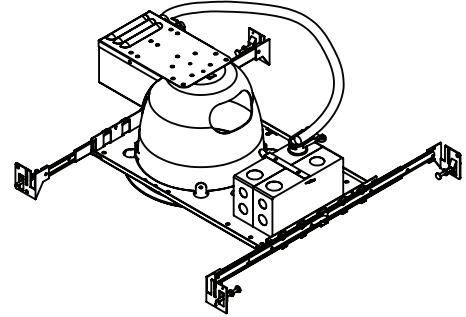
Galvanized Steel with five 1/2" and two 3/4" knockouts and four true romex pryouts. Strain clamps and ground wire.

ELECTRONIC BALLAST

2x26W Multi-Volt Class P Ballast equipped with inherent thermal protection. Noise and flicker free operation.

MOUNTING

Flat Bar Hangers (HB2X27) sold separately.

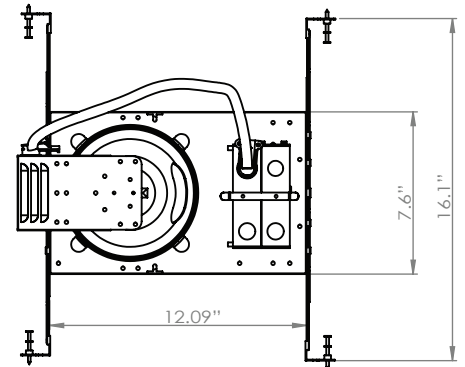
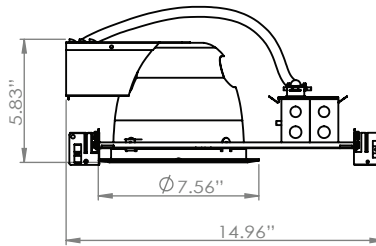


- Aperture: Nominal 6"
- Ceiling Cutout: 6 3/8"
- Maximum Ceiling Thickness: 1 3/4"
- Maximum Wattage: 2 - 26 Watt

CODES

- Non-IC rated - Insulation must be kept a minimum of 3" away from the housing.
- UL Listed for through branch circuit wiring
- UL Listed for damp locations

Dimensions



Trim Options



FH637CL



FH611C

Ordering information

Item Number	Description	Lamping
HOUSING		
FH6E226MV	6" Horizontal New Construction, Multi-Volt Electronic Ballast	(2) 26W DTT 4-PIN
REFLECTORS		
FH611C	6" Clear Reflector Trim	(2) 26W DTT 4-PIN
FH637CL	6" Wall Wash Eyelid	(2) 26W DTT 4-PIN