

HOUSING

.041 steel housing adjust to maximum ceiling thickness 1 3/4" (45 mm). High quality galvanized steel plaster frame.

JUNCTION BOX

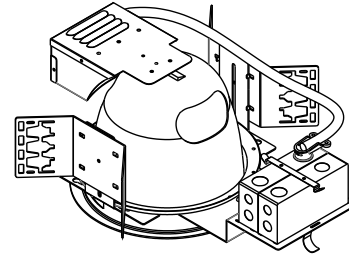
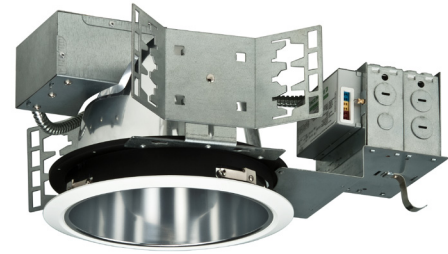
Galvanized Steel with five 1/2" and two 3/4" knockouts and four true romex pryouts. Strain clamps and ground wire.

ELECTRONIC BALLAST

2x42W Multi-Volt Class P Ballast equipped with inherent thermal protection. Noise and flicker free operation.

MOUNTING

Flat Bar Hangers (HB2X27) sold separately.



Aperture: Nominal 8"

Ceiling Cutout: 8"

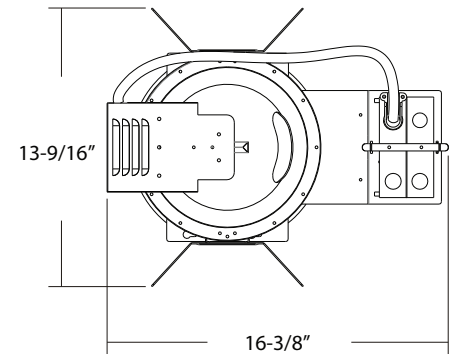
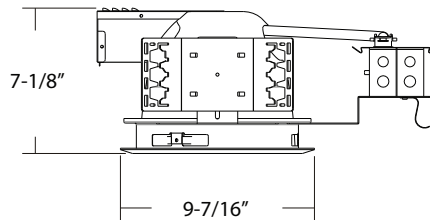
Maximum Ceiling Thickness: 1 3/4"

Maximum Wattage: 2 - 42 Watt

CODES

- Non-IC rated - Insulation must be kept a minimum of 3" away from the housing.
- UL Listed for through branch circuit wiring
- UL Listed for damp locations

Dimensions



Trim Options



FH837CL



FH811CL

Ordering information

Item Number	Description	Lamping
HOUSING*		
FH8E242MV	8" Horizontal Architectural Frame-in, Multi-Volt Electronic Ballast	(2) 26W Or 42W DTT or TRT 4-PIN
REFLECTORS		
FH811CL	8" Clear Reflector Trim W/White Trim Ring	(2) 26W Or 42W DTT or TRT 4-PIN
FH837CL	8" Clear Wall Wash Reflector	(2) 26W Or 42W DTT or TRT 4-PIN

*Flat Bar Hangers (HB2X27) sold separately.