

# Flange Kit

Recessed Fluorescent

Frame-in-Kit

## FEATURES & SPECIFICATIONS

### INTENDED USE

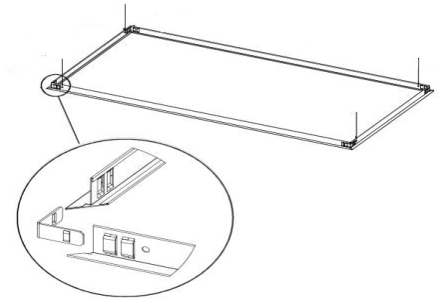
Allows standard troffers, recessed indirect/direct, or parabolics to be mounted in plaster or wood ceilings.

### SIZE W x L x H in inches (mm)

1 x 4 - Ceiling Opening is 12.25" x 48.25"

2 x 2 - Ceiling Opening is 24.25" x 24.25"

2 x 4 - Ceiling Opening is 24.25" x 48.25"



### COUNSTRUCTION

Die-formed and embossed code 22 gauge steel. No tools required.

### MOUNTING

Recessed inverted T-Bar ceilings. Grid mount.

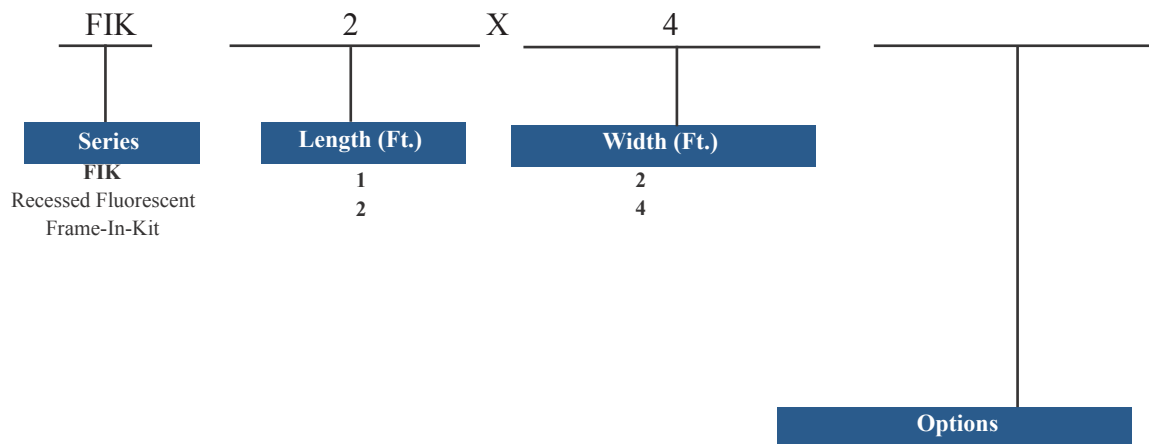
### FINISH

Fixture and Ballast: UL Listed.

Ballast: Thermally protected, class P, HPF, Non PCB.

## ORDERING INFORMATION

Example: **FIK2X4**



# Flange Kit

Recessed Fluorescent

Frame-in-Kit



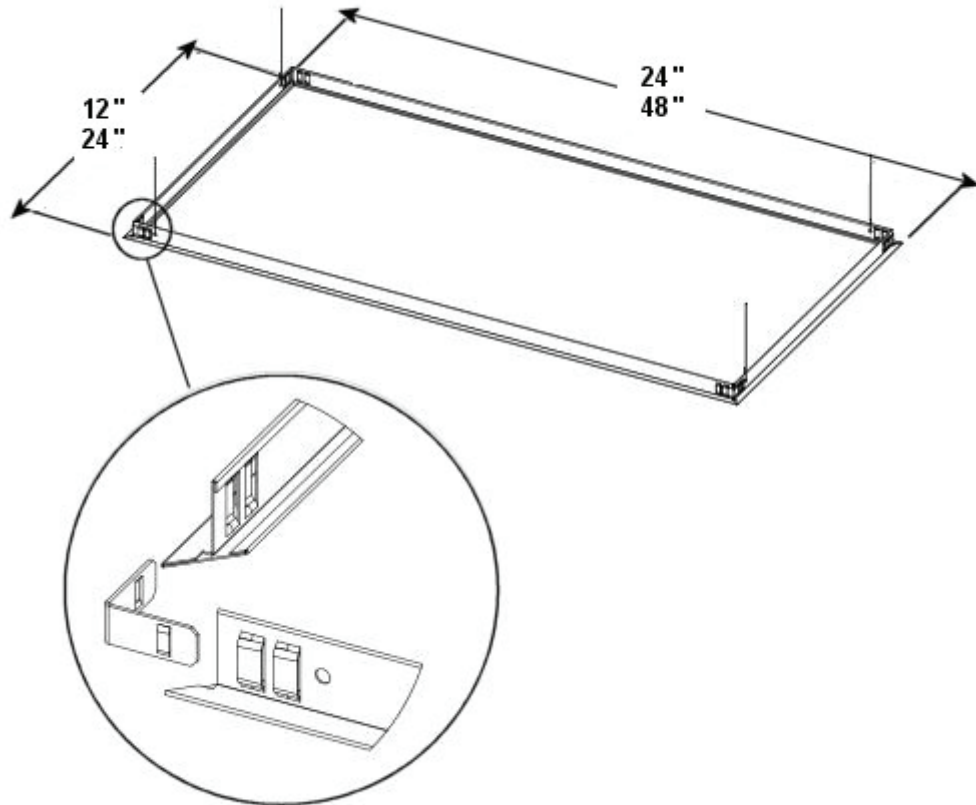
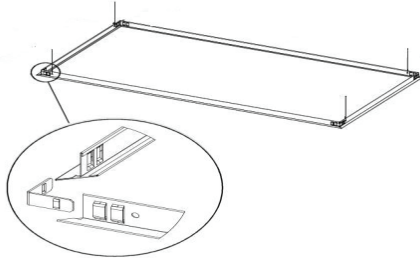
## INSTALLATION

All dimensions are inches. Specifications subject to change without notice.

1. Slide (Snap-Lock) Corner angles into side and end/Intermediate Rails as shown.
2. Place assembled frame into ceiling opening and wire support (at four corners as shown) from main floor/ceiling structure.

**WARNING: ELECTRICAL SHOCK POTENTIAL!!** Do not attempt to install, maintain or relamp without dis-connecting all power. Failure to disconnect power can result in electrocution, shock, or severe burns.

FIK: Designed to be used with any grid type recessed luminaire in ceiling requiring flanges. May be nailed to framing for purpose of trimming out the ceiling opening not to be used for support of luminaire. If this method of installing FIK is used luminaire must be supported by #12 ga. mild steel wire by others.



Catalog Number:

Notes:

Texas Fluorescents  
2055 Luna Rd. Suite 142 Carrollton, TX 75006  
Phone: 972-247-3171 Fax: 972-247-0200  
www.texasfluorescents.com Email: sales@texasfluorescents.com