

Project	Type

DESCRIPTION

Flat Panel Designer Troffer (FP2) is an LED troffer luminaire designed for installation in 2-foot by 4-foot conventional suspended grid ceilings for new construction or retrofit projects. Featuring superior, evenly dispersed lighting that sets the standard in performance for solid state ceiling luminaires, FP2 2x4 can also significantly reduce the number of fixtures needed to light a given area. Custom fixture and power supply kit design allows for quick and easy installation, reducing costly labor time. The superior thermal design will extend both the life of the fixture and power supply. And by still emitting 70% of the original light output after more than 239,000 hours**, FP2 2x4 will last many years without the need for costly replacement or maintenance.

FEATURES

- Phenomenal light output using only 36 Watts OR 45 Watts
- Sealed, type Non-IC fixture
- Class 2 compliant design (low voltage, limited power)
- L70 lifetime of more than 239,000 hours** with 36 Watts; 173,000** hours with 45 Watts.
- Fixture dimmable via Mark 7 (0-10V) dimming interface
- 5-year warranty

CERTIFICATION

- UL Listed (UL 1598, file #: E344008)
- DLC approved
- CEC approved
- C-Tick certified
- LM-79 available



FIXTURE ORDERING INFORMATION

Luminaire requires ordering fixture, power supply and adapter kit.

Example: FP2-24L-36W3450L-40K-EM

FP2	24L		40K	
Series	Size	Watts/Lumens	Color Temp (K)	Options
FP2	24L 2' x 4'	36W3450L 36 Watts/3450 Lumens 45W4050L 45 Watts/4050 Lumens	40K 4000K	EM Battery Backup

FLAT PANEL DESIGNER TROFFER FP2

2' x 4' Troffer
36 W / 3450 Lumens
45 W / 4050 Lumens



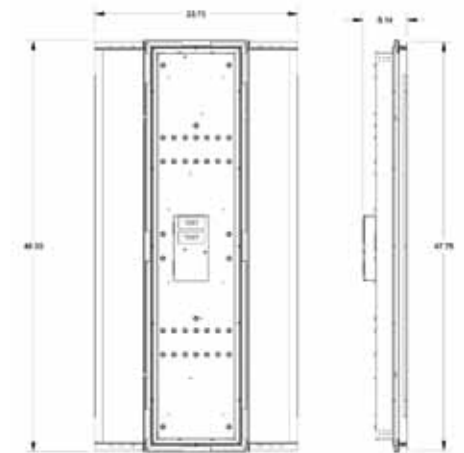
ENERGY DATA	36 Watt	45 Watt
CCT (K)	4000	4000
Input Voltage (VAC)	120 - 277	120 - 277
System Level Power (W)*	36	45
Delivered Lumens (Lm)	3450	4050
System Efficacy (Lm/W)*	95	90
Color Rendering Index	80 min	80 min
L70 Calculated Life (Hrs)**	239,000	173,000
L85 Calculated Life (Hrs)**	110,000	79,000
Operating Temp (°C)	-30 to 50	-30 to 50

* Measured at 277VAC

** Projected LED lumen maintenance based on the IES TM-21 model. Calculation is based on 10,000 hours of LM-80 data. Fixture average ambient temperature is 25°C.

SPECIFICATIONS

Dimensions (in)	47.7 x 23.7 x 5.1
Units/carton	1
Net weight	22.8 lbs
Environmental Rating	Dry



Warranty issues can be resolved and replacement parts are handled through Texas Fluorescents Customer Service Department by phone at 972-247-3171.

Specifications and dimensions subject to change without notice.

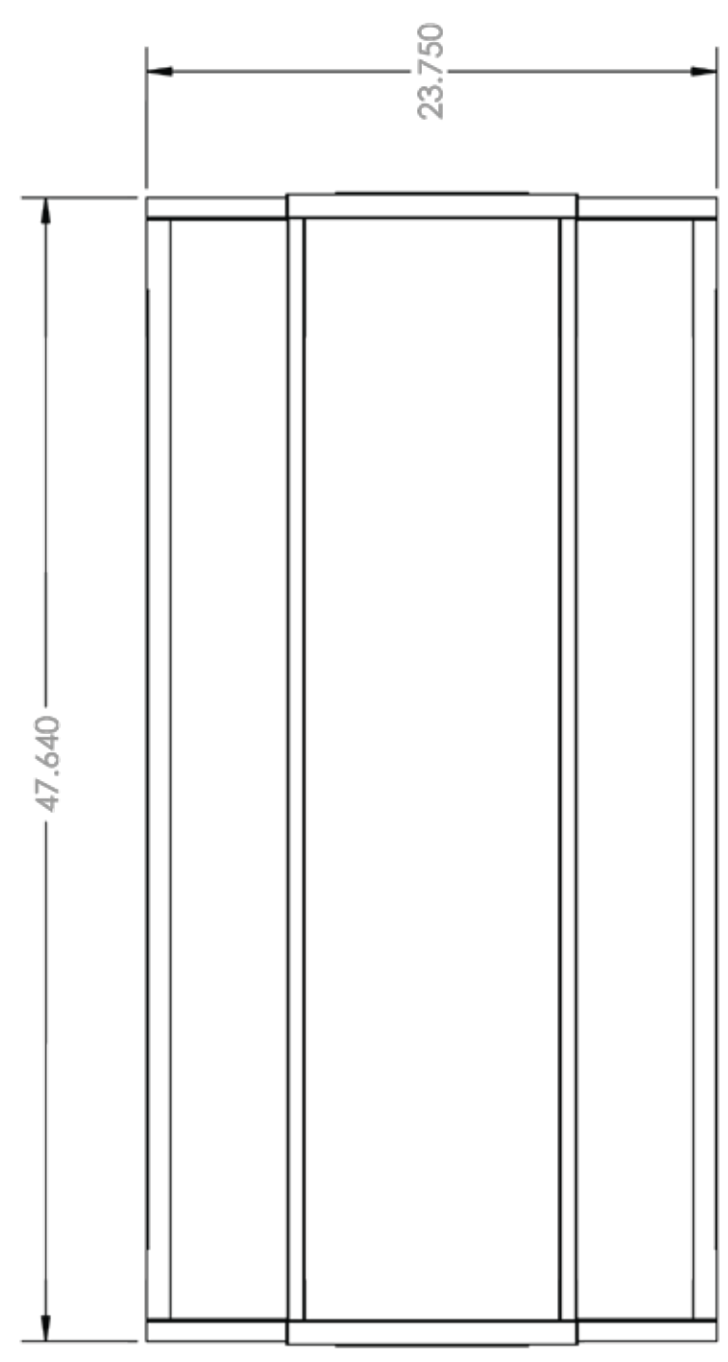
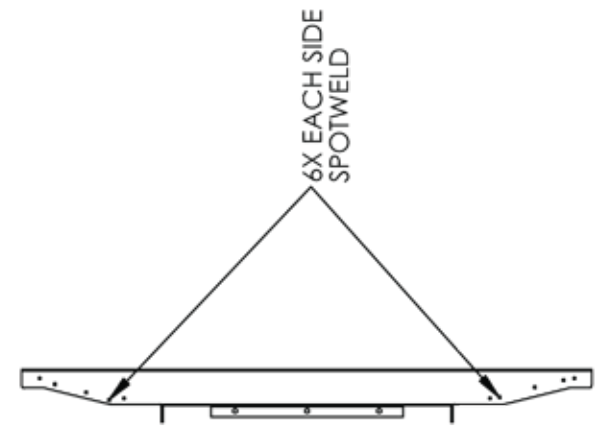
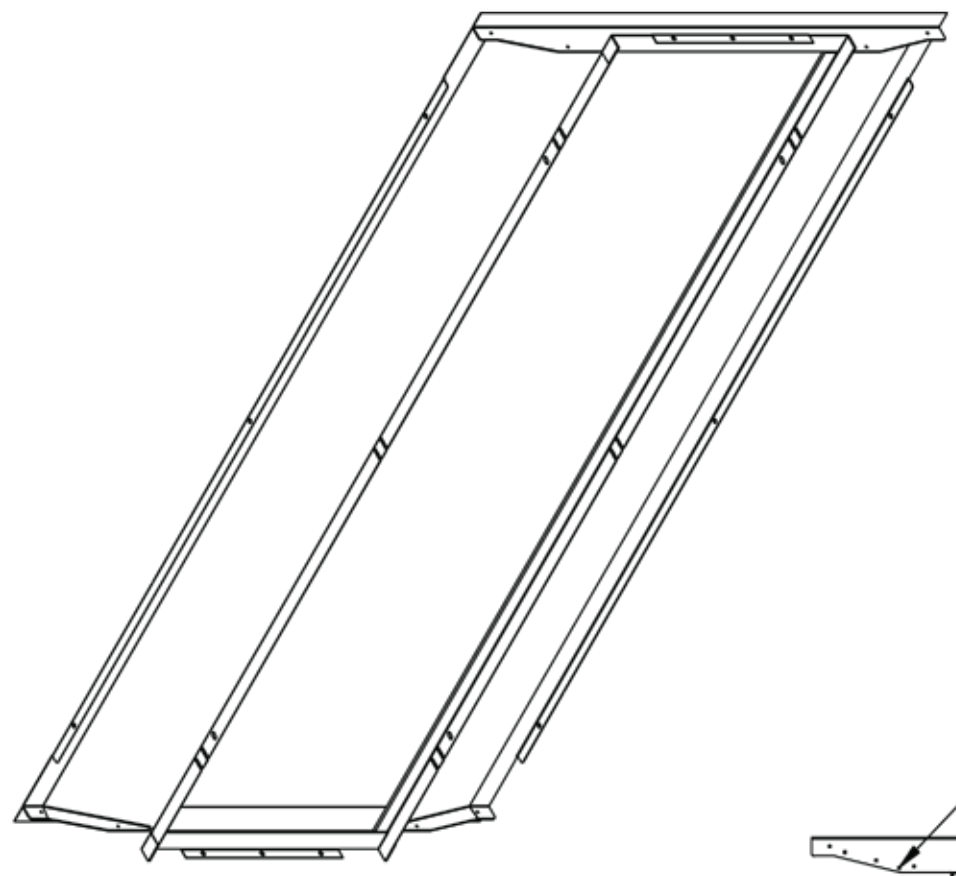
DATASHEET 08.12.2013

D

C

B

A



D

C

B

A

1
2
3
4
5
6
7
8

1
2
3
4
5
6
7
8