

**HOUSING**

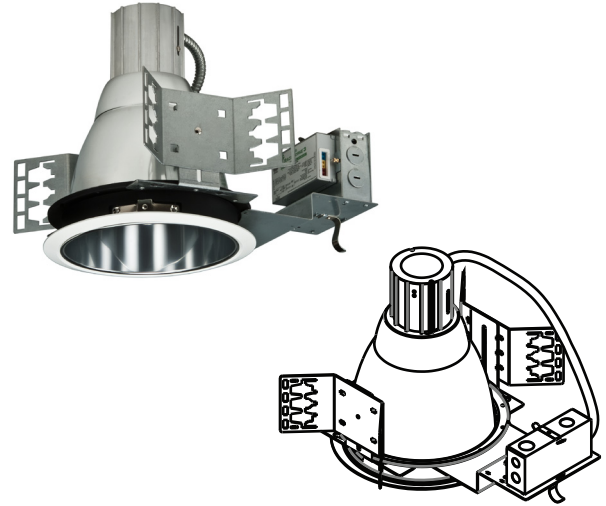
.041 steel housing adjust to maximum ceiling thickness 1 3/4" (45 mm). High quality galvanized steel plaster frame.

**JUNCTION BOX**

Galvanized Steel with five 1/2" and two 3/4" knockouts and four true romex pryouts. Strain clamps and ground wire.

**ELECTRONIC BALLAST**

26W - 42W Multi-Volt Class P Ballast equipped with inherent thermal protection. Noise and flicker free operation.



**MOUNTING**

Flat Bar Hangers (HB2X27) sold separately.

**Aperture: Nominal 8"**

**Ceiling Cutout: 8"**

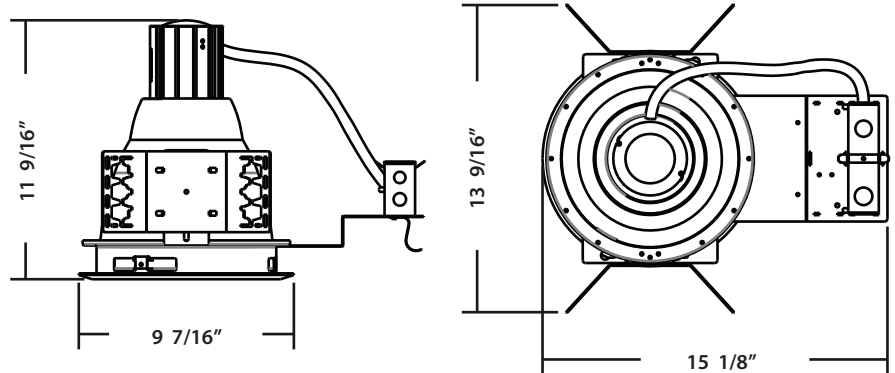
**Maximum Ceiling Thickness: 1 3/4"**

**Maximum Wattage: 1 - 26 Watt**

**CODES**

- Non-IC rated - Insulation must be kept a minimum of 3" away from the housing.
- ETL Listed for through branch circuit wiring
- cETL Listed for damp locations

**Dimensions**



**Trim Options**



FV803CL



FV837CL

**Ordering information**

| Item Number       | Description  | Lamping                       |
|-------------------|--|-------------------------------|
| <b>HOUSING*</b>   |  |                               |
| FV8E2642MV        | 8" Vertical Non-IC New Construction, Multi-Volt Electronic Ballast | 26W to 42W [DTT or TRT] 4-Pin |
| <b>REFLECTORS</b> |  |                               |
| FV803CL           | 8" Clear Reflector Trim  | 26W to 42W [DTT or TRT] 4-Pin |
| FV837CL           | 8" Wall Washer w/Eyelid  | 26W to 42W [DTT or TRT] 4-Pin |

\*Flat Bar Hangers (HB2X27) sold separately.