

Smart Sense H5L Series

H5L High Bay Workhorse

FEATURES & SPECIFICATIONS

INTENDED USE

The H5L series is the workhorse of our high bay fluorescent series, designed especially for high light output. The fixtures uses premium mirrored reflectors for high efficiency lighting. A sturdy/ durable fixture body with superior appearance and appeal, suitable for commercial, retail and industrial applications. Mounts easily with chain or cable kit. The Smart Sense version incorporates an integral Sensor Switch Occupancy Sensor in the reflector and protected by an optional wire guard. No need for an external sensor with this full functioning Occupancy Sensor. See Sensor Switch spec sheet below.

SIZE W x L x H in inches (mm)

13W x 48L x 3.0Dp

CONSTRUCTION

Body and ends are die blanked, pierced and formed of 20 gauge cold rolled prime steel for rigidity and uniformity. Forming of the housing has been engineered to provide added strength along its entire length.

LAMP

4 Lamp Positions

MATERIALS & FEATURES

Baked white enamel code gage steel Premium full specular mirrored reflector Multiple KOs and access plate.



Integral Sensor Switch
Occupancy Sensor

MOUNTING

4 Point chain mount. For other options, consult factory.

LISTING / CERTIFICATIONS

Fixture & Ballast: UL Listed

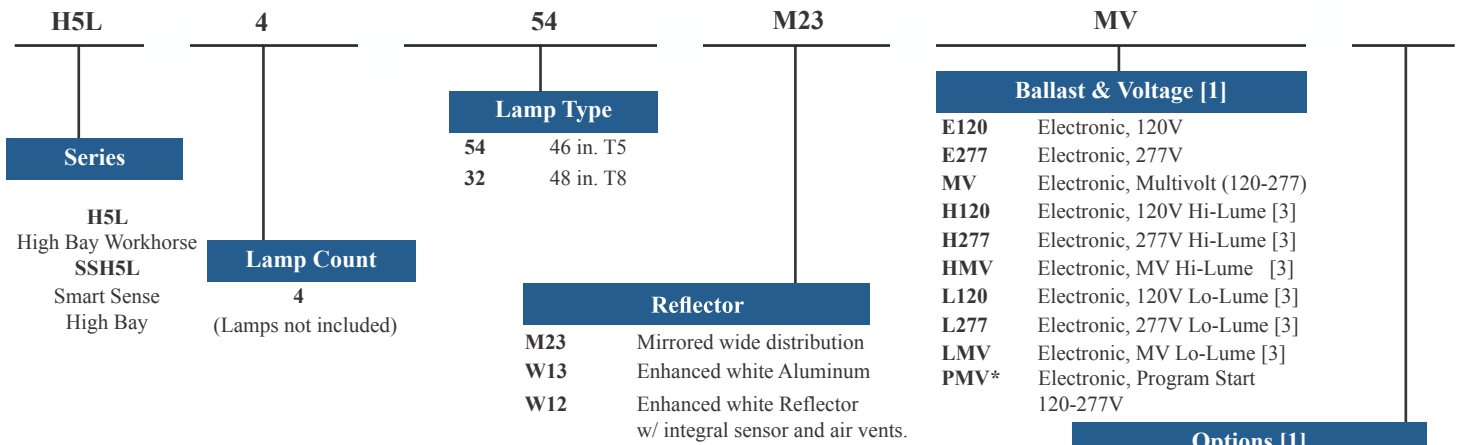
Ballast: Thermally protected, class P, HPF,
Non PCB

TYPICAL OPTIONS AND ACCESSORIES

Emergency ballasts, Cord sets, whips, occupancy sensors Hanging kits, Wire guards. Contact factory for additional options.

ORDERING INFORMATION

Example: **H5L454M23MV**



Accessories

Order as Seperate Part Number

- H5LLEN** Clear Lens. Mounts .25" off fixture.
- HC101** Chain kit, Includes: 6 S Hooks and 20ft. chain
- HC202** Tong hangers, End Mount (Pair)
- HC203** Tong hangers, Side Mount (Pair)
- 7H5L** Single Point hanger adapter
- H5L6WG** 6 Lamp Wire Guard

- #### Options [1]
- CS** 5-15P 120V 8ft. Cord & Plug
 - CS12** L7-15P 277V 8ft. Cord & Plug
 - CS08** 8ft. Cord, No Plug
 - WP** 6 ft. 3 wire, Whip
 - WP10** 6ft. 4 wire, Whip
 - EM** Emergency ballast, 500 lumens
 - EM14** Emergency ballast, 1400 lumens

Note: EM14 required for T5HO lamps
*Recommended with T8 lamps and SS series.

Catalog Number:
Notes:

KEY SPECS

Lens High Bay 360°
Enclosure Snap Fit
Power Type Line Voltage
Detection Passive Infrared (PIR)

TYPICAL APPLICATIONS

High Bay Warehouse
Individual Fixture Control
T-5 or T-8 Fluorescent

FEATURES

25-45 ft (7.62 - 13.72 m) Mounting
30 sec. to 20 min Time Delay
Self-contained Relay,
no Power Pack required
No Minimum Load
Push-Button Programmable
100 hr. Lamp Burn-in Timer
Green LED Indicator

PHYSICAL SPECS

SIZE 2.25" H x 1.38" W x 0.82" D
(5.715 cm x 3.51 cm x 2.08 cm)
WEIGHT 4 oz.
MOUNTING Snaps into 2 3/16" H x
1 5/16" W x 1" D cavity in fixture
COLOR White

ELECTRICAL SPECS

Load Rating (1 Phase Only)
800 W @ 120 VAC
1200 W @ 277 VAC
1500 W @ 347 VAC
Motor Load 1/4 HP
Frequency 50/60 Hz
Timers are 1.2x for 50 Hz

ENVIRONMENTAL SPECS

Operating Temp
14° to 160° F (-10° to 71° C)
Storage Temp
-14° to 160° F (-26° to 71° C)
Relative Humidity
20 to 90% non-condensing

OTHER

UL and CUL Listed
5 Year Warranty
Made in the U.S.A.

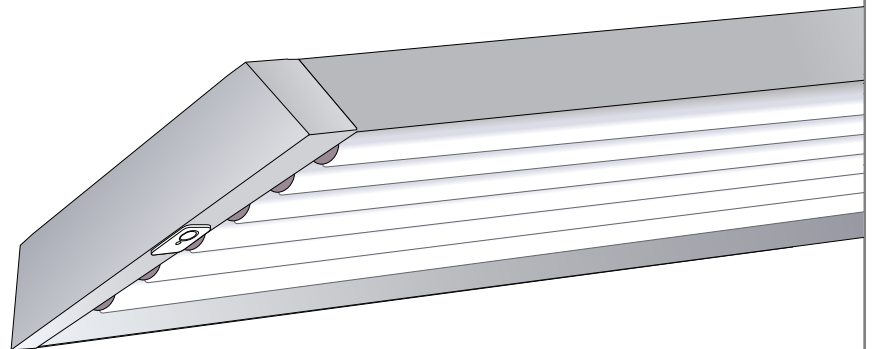
SFR-5



The Snap-Fit High Bay sensor is a compact line voltage sensor that snaps directly into a small cavity in a fixture. The sensor utilizes Passive Infrared (PIR) detection to detect motion from occupants within its 360° coverage pattern that overlaps that of most HID, T-5, or T-8 fixtures used in warehouse applications.

SENSOR OPERATIONS

The sensor detects changes in the infrared energy given off by occupants as they move within the field-of-view. When occupancy is detected, a self-contained relay switches the lighting on. The sensor is line powered and can switch a large range of line voltages. An internal timer, factory set at 10 minutes, keeps the lights on during brief periods of no activity. This timer is push-button programmable from 30 seconds to 20 minutes, and is reset every time occupancy is re-detected. This state-of-the-art design requires no manual sensitivity adjustments.



OPTIONS

VOLTAGE: 347 VAC (-3)

- Allows sensor to be powered by and switch 347 VAC

LOW TEMP/HIGH HUMIDITY (-LT)

- Sensor is corrosion resistant to moisture
- Operates down to -40° F/C

ORDERING BLOCK

SFR-5-[VOLTAGE]-[TEMP/HUMIDITY]		
OPTIONS	VOLTAGE	TEMP/HUMIDITY
	Blank = 120-277 VAC -3 = 347 VAC	Blank = 14° to 160° F -LT = -40° to 160° F

PRELIMINARY

T173-001

revised 10/17/2008
© Sensor Switch, Inc. 2008

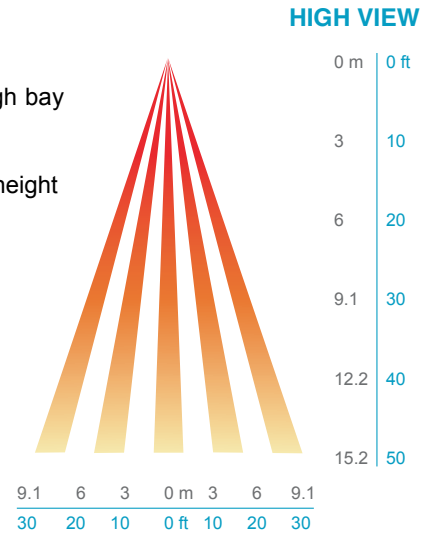
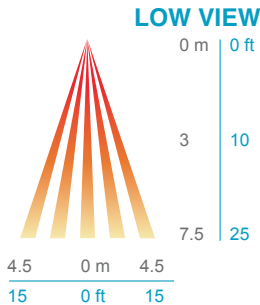
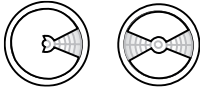
COVERAGE PATTERN

5 MINI HIGH BAY 360° LENS

- Best choice for 25 to 45 ft (7.62 to 13.72 m) mounting heights
- 15 to 25 ft (4.57 to 7.62 m) radial coverage overlaps area lit by a typical high bay fixture
- Large Motion (e.g. walking) detection up to a 35 ft (10.67 m) mounting height
- Extra Large Motion (e.g. forklifts) detection up to a 45 ft (13.72 m) mounting height

MASKING KIT

- A masking kit is provided in order to mask off a portion of the view pattern for end-of-aisle applications; or to trim the sensor's side viewing to create a rectangular pattern for center-of-aisle viewing only.



WIRING

STANDARD WIRING

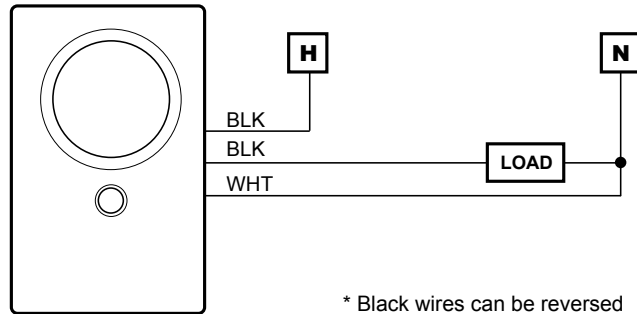
- BLACK* - Line Input
- BLACK* - Load Output
- WHITE - Neutral

347 VAC OPTION

Black wires are replaced w/ Red wires

INITIAL POWER UP (3 MINUTE WARM-UP)

The relay in the sensor is shipped in a latched closed position so that when power is initially applied the lights will come on. The sensor will then begin to time out after a 1-3 minute warm-up period. If the lights do not immediately turn on (initial installation only) the latching relay opened during shipment and will close after warm-up period is over.



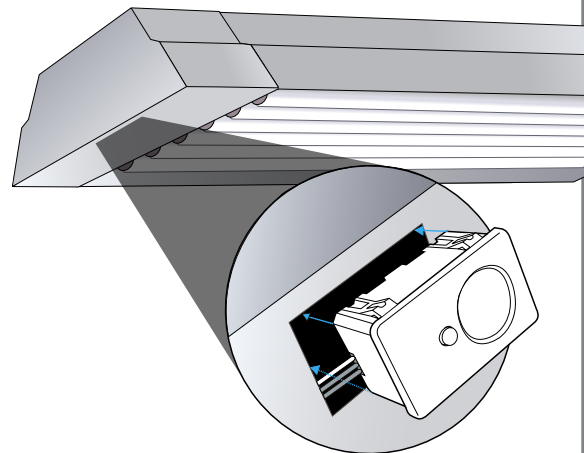
INSTALLATION

MOUNTING

The Snap Fit enclosure is designed to fit snugly inside a 2 3/16" H x 1 5/16" W x 1" D cavity in a high bay lighting fixture

PROGRAMMING

Refer to included instruction card for default settings and directions on programming the sensor time delay via the push-button.



sensorswitch

WARRANTY: Sensor Switch, Inc. warrants these products to be free of defects in manufacture and workmanship for a period of 60 months. Sensor Switch, Inc., upon prompt notice of such defect will, at its option, provide a Returned Material Authorization number and repair or replace returned product.

LIMITATIONS AND EXCLUSIONS: This Warranty is in full lieu of all other representation and expressed and implied warranties (including the implied warranties of merchantability and fitness for use) and under no circumstances shall Sensor Switch, Inc. be liable for any incidental or consequential property damages or losses.