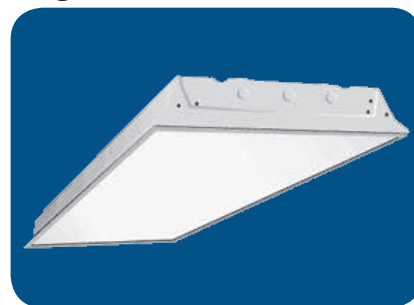


# HB131 Series

**Fluorescent HiBay, Grid Mount,  
Hinged & Latched Door Frame**



## FEATURES & SPECIFICATIONS

### INTENDED USE

For high light output applications requiring a lensed enclosure for recessed, surface, or pendant mounting, the HB131 is an efficient choice, utilizing a troffer body modified with a reflector for enhanced output and light control and removing the ballast above the body. Rugged steel body with hinged and latched door frame for lens options. Ballast housing above body provides cooler operation for longer life.

### SIZE W x L x H in inches (mm)

23.75W x 47.75L x 6.0H (605 x 1215 x 155)

### LAMP

Four or Six T8, T5HO, or T5.5 lamp positions

### MOUNTING

4 Point chain mount (101HC accessory available)  
Recessed grid —no accessories required

### MATERIALS & FEATURES

Baked white enamel code gage steel  
Premium full specular reflector  
White enamel door frame, optional lens materials  
Rear mounted ballast enclosure, aluminum.

### LISTING

Fixture & Ballast: UL Listed  
Ballast: Thermally protected, class P, HPF,  
Non PCB

### TYPICAL OPTIONS AND ACCESSORIES

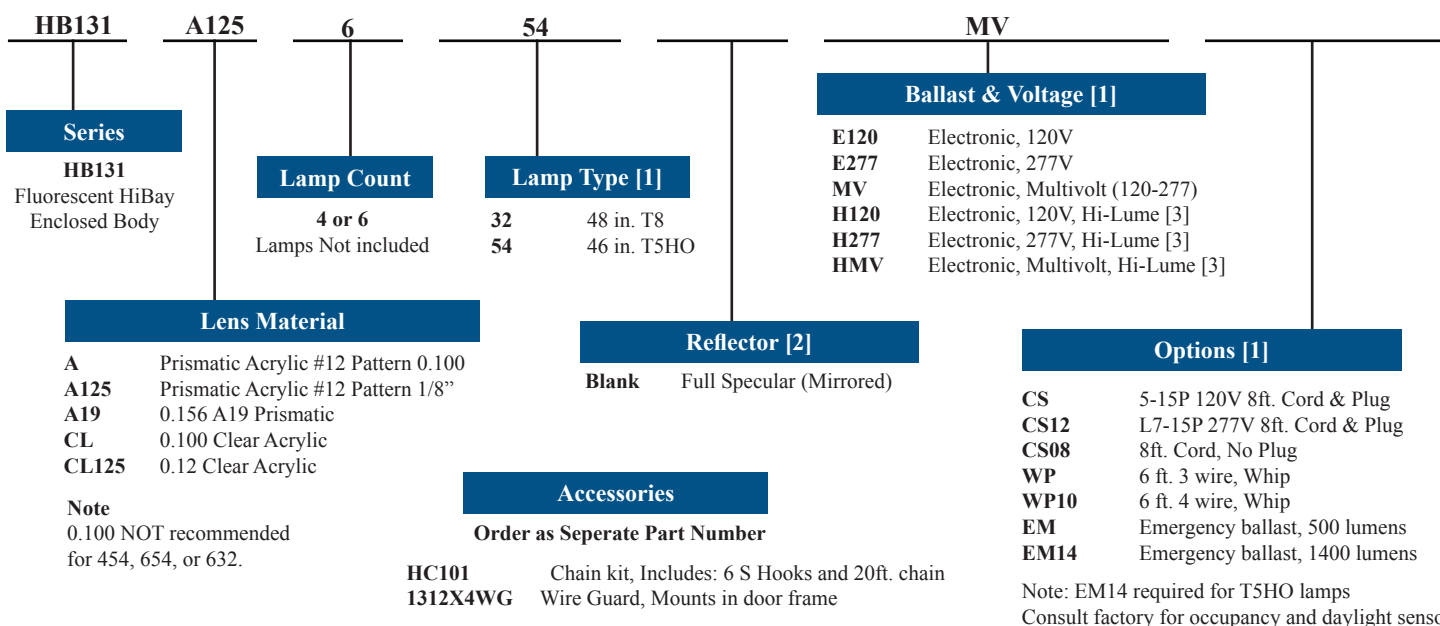
Emergency ballasts, Cord sets, whips, occupancy sensors Hanging kits, Wire guards Contact factory for additional options.

### Note

HB131 is available in 632, 454, and 654. For 4 lamp T8, see standard 131 with mirrored reflector.

## ORDERING INFORMATION

Example: HB131A125654MV



### Notes

[1] See end of T02HiBay for many additional lamps, ballasts, finishes, and options.  
[2] Custom reflectors available to create any light distribution.  
[3] HiLume and LoLume ballasts available for T8 lamps only.

T8 & T5HO Lamps, all colors.

Ask about the new T5.5 lamp.

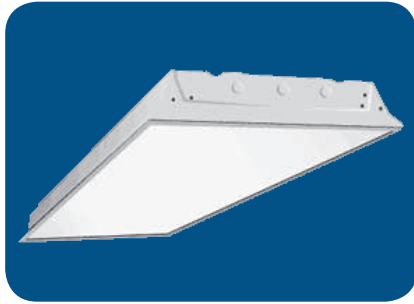
Operates on any T8 ballast, fits any 48" fixture.

Catalog Number:

Notes:

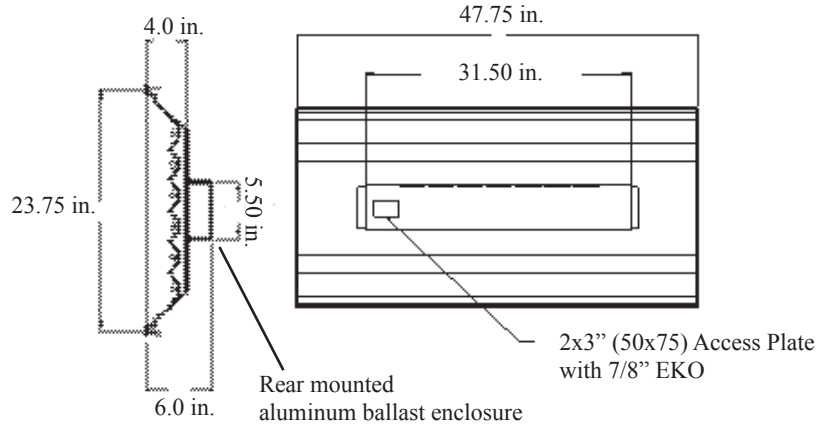
# HB131 Series

Fluorescent HiBay, Grid Mount,  
Hinged & Latched Door Frame



## DIMENSIONS

All dimensions are inches. Specifications subject to change without notice.



## PHOTOMETRICS

Calculated using the zonal cavity method in accordance with IESNA LM41 procedure. Lamp configurations shown are typical. Photometric data on these and other configurations available upon request.

Floor	20%	20%	20%	20%	20%	10%	10%	10%
Ceiling	80%	80%	80%	70%	70%	50%	50%	0%
Wall	70%	50%	30%	70%	50%	50%	30%	30%
RCR	Zonal cavity coefficients			HB131432	Spacing ratio. Along 1.2 Across 1.3			
0	0.97	0.96	0.95	0.94	0.94	0.85	0.85	0.81
1	0.90	0.87	0.84	0.88	0.85	0.78	0.76	0.73
2	0.84	0.78	0.73	0.82	0.76	0.71	0.67	0.65
3	0.77	0.69	0.63	0.76	0.68	0.64	0.60	0.58
4	0.72	0.63	0.56	0.70	0.62	0.58	0.54	0.52
5	0.67	0.57	0.50	0.65	0.56	0.53	0.48	0.47
6	0.62	0.52	0.45	0.60	0.51	0.49	0.43	0.42
7	0.58	0.47	0.41	0.57	0.47	0.45	0.39	0.38
8	0.54	0.44	0.37	0.53	0.43	0.41	0.36	0.35
9	0.51	0.40	0.34	0.50	0.40	0.38	0.33	0.32
10	0.48	0.37	0.31	0.47	0.37	0.36	0.31	0.30

Floor	20%	20%	20%	20%	20%	10%	10%	10%
Ceiling	80%	80%	80%	70%	70%	50%	50%	0%
Wall	70%	50%	30%	70%	50%	50%	30%	30%
RCR	Zonal cavity coefficients			HB131654	Spacing ratio. Along 1.2 Across 1.3			
0	0.89	0.89	0.88	0.87	0.87	0.79	0.78	0.75
1	0.84	0.80	0.77	0.82	0.78	0.72	0.70	0.67
2	0.77	0.72	0.67	0.75	0.70	0.65	0.62	0.60
3	0.72	0.64	0.58	0.70	0.63	0.59	0.55	0.53
4	0.66	0.58	0.52	0.65	0.57	0.54	0.49	0.48
5	0.61	0.52	0.46	0.60	0.51	0.49	0.44	0.43
6	0.57	0.47	0.41	0.56	0.47	0.45	0.40	0.39
7	0.53	0.43	0.37	0.52	0.43	0.41	0.36	0.35
8	0.50	0.40	0.34	0.49	0.40	0.38	0.33	0.32
9	0.47	0.37	0.31	0.46	0.36	0.35	0.30	0.30
10	0.44	0.34	0.28	0.43	0.34	0.33	0.28	0.27

Floor	20%	20%	20%	20%	20%	10%	10%	10%
Ceiling	80%	80%	80%	70%	70%	50%	50%	0%
Wall	70%	50%	30%	70%	50%	50%	30%	30%
RCR	Zonal cavity coefficients			HB131632	Spacing ratio. Along 1.2 Across 1.3			
0	0.96	0.95	0.95	0.94	0.93	0.85	0.84	0.80
1	0.90	0.86	0.83	0.88	0.84	0.77	0.75	0.72
2	0.83	0.77	0.71	0.81	0.75	0.70	0.66	0.64
3	0.76	0.68	0.62	0.74	0.67	0.63	0.59	0.56
4	0.71	0.62	0.55	0.69	0.61	0.57	0.52	0.50
5	0.66	0.55	0.49	0.64	0.55	0.52	0.47	0.45
6	0.61	0.50	0.43	0.59	0.49	0.47	0.42	0.41
7	0.57	0.46	0.39	0.55	0.45	0.43	0.38	0.37
8	0.53	0.42	0.36	0.52	0.42	0.40	0.35	0.34
9	0.50	0.39	0.33	0.49	0.38	0.37	0.32	0.31
10	0.47	0.36	0.30	0.46	0.36	0.34	0.29	0.28

Catalog Number:
Notes: