

HBW Series

I-Beam Economy HiBay



FEATURES & SPECIFICATIONS

INTENDED USE

The HBW series open frame fluorescent high bay is a fully accessorized open frame fixture perfect for warehouse lighting. Premium full specular mirrored reflectors provide efficient lighting and maximum throw for medium to high mount applications.. Built tough for industrial applications. Fully accessorized. White body provides a clean and neutral appearance.

SIZE W x L x H in inches (mm)

21.5W x 48L x 3.25Dp

MOUNTING

4 point chain mount (HC101 accessory available)
2 point tong chain mount (HC202 or HC203 acc available)
2 point stem mount—1/2" - no accessories required
Single point mount (7HBD accessory available)
Surface mount—no accessories required

MATERIALS & FEATURES

Post painted white body. Code gage. Lamps secured in twist lock lamp holders. Premium, full specular mirrored reflector with protective film. Multiple KOs and Access plate on back for rapid wiring.

LAMP

6 Lamp Positions

LISTING

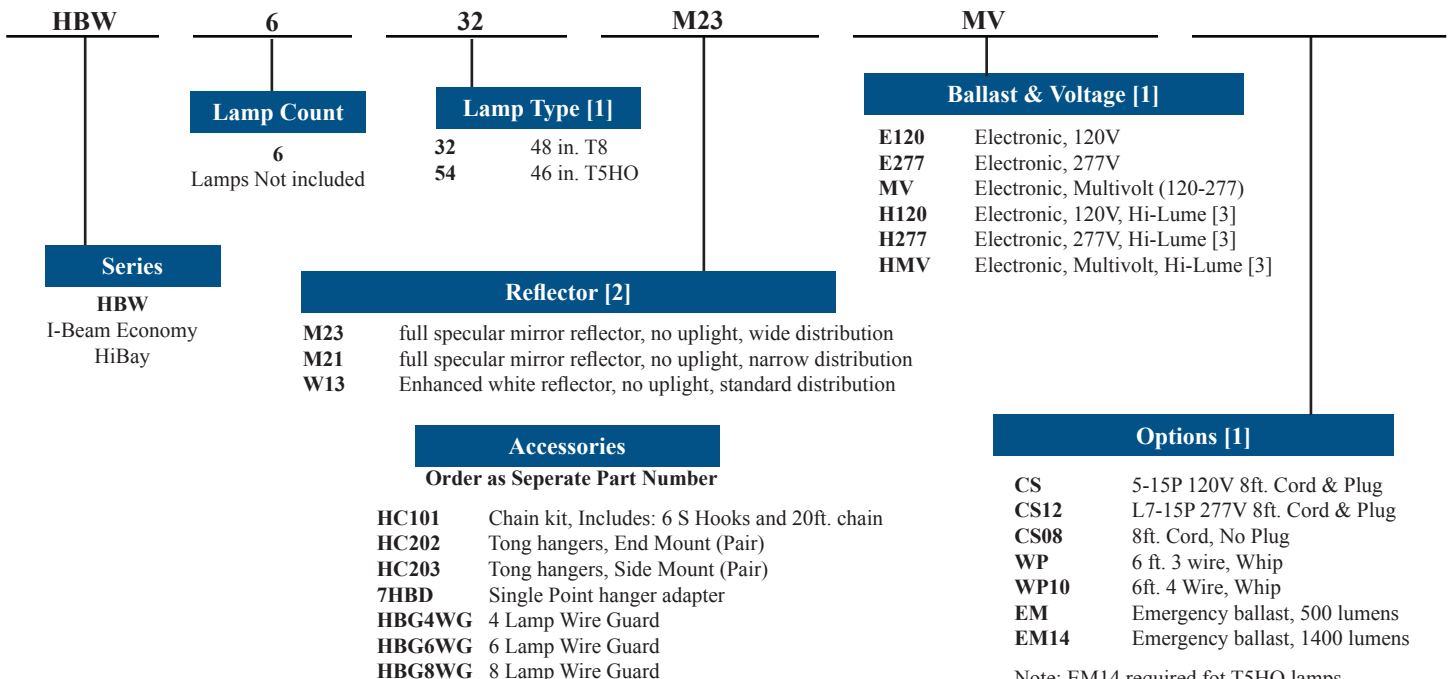
Fixture & Ballast: UL Listed
Ballast: Thermally protected, class P, HPF, Non PCB

TYPICAL OPTIONS AND ACCESSORIES

Emergency ballasts, Cord sets, whips, occupancy sensors Hanging kits, Wire guards. Contact factory for additional options.

ORDERING INFORMATION

Example: **HBW632M23MV**



Notes
 [1] See end of T02HiBay for many additional lamps, ballasts, finishes, and options.
 [2] Custom reflectors available to create any light distribution.
 [3] HiLume and LoLume ballasts available for T8 lamps only.

Catalog Number:
Notes:

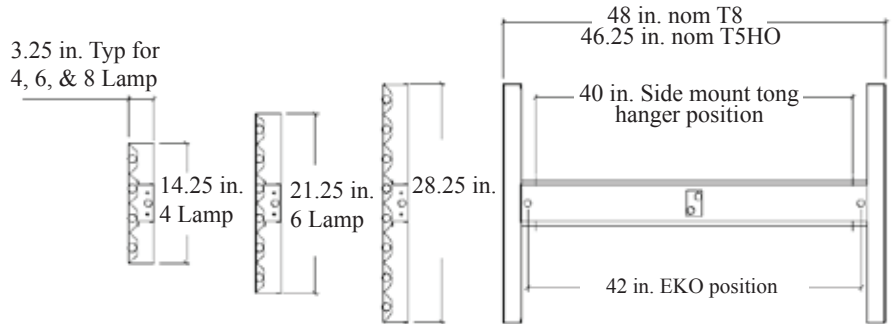
HBW Series

I-Beam Economy HiBay



DIMENSIONS

All dimensions are inches. Specifications subject to change without notice.



PHOTOMETRICS

Calculated using the zonal cavity method in accordance with IESNA LM41 procedure. Lamp configurations shown are typical. Photometric data on these and other configurations available upon request.

Floor	20%	20%	20%	20%	20%	10%	10%	10%
Ceiling	80%	80%	80%	70%	70%	50%	50%	0%
Wall	70%	50%	30%	70%	50%	50%	30%	30%
RCR	Zonal cavity coefficients			HBG432	Spacing ratio.		Along 1.2	Across 1.3
0	1.12	1.11	1.11	1.09	1.08	0.98	0.98	0.93
1	1.02	0.97	0.93	1.00	0.95	0.87	0.85	0.81
2	0.94	0.86	0.79	0.91	0.84	0.78	0.73	0.70
3	0.86	0.76	0.68	0.84	0.74	0.69	0.64	0.61
4	0.80	0.68	0.60	0.77	0.67	0.63	0.57	0.55
5	0.74	0.61	0.53	0.72	0.60	0.57	0.51	0.49
6	0.68	0.56	0.47	0.66	0.55	0.52	0.46	0.44
7	0.64	0.51	0.43	0.62	0.50	0.48	0.42	0.40
8	0.60	0.47	0.39	0.58	0.47	0.45	0.38	0.37
9	0.56	0.44	0.36	0.55	0.43	0.41	0.35	0.34
10	0.53	0.40	0.33	0.52	0.40	0.39	0.32	0.32

Floor	20%	20%	20%	20%	20%	10%	10%	10%
Ceiling	80%	80%	80%	70%	70%	50%	50%	0%
Wall	70%	50%	30%	70%	50%	50%	30%	30%
RCR	Zonal cavity coefficients			HBG454	Spacing ratio.		Along 1.2	Across 1.3
0	1.09	1.08	1.08	1.06	1.05	0.96	0.95	0.91
1	0.99	0.94	0.90	0.97	0.92	0.84	0.82	0.78
2	0.90	0.82	0.75	0.87	0.80	0.74	0.69	0.66
3	0.82	0.71	0.63	0.79	0.70	0.65	0.59	0.56
4	0.75	0.63	0.54	0.73	0.62	0.58	0.51	0.49
5	0.68	0.56	0.47	0.66	0.55	0.52	0.45	0.43
6	0.63	0.50	0.41	0.61	0.49	0.46	0.39	0.38
7	0.58	0.45	0.37	0.57	0.44	0.42	0.35	0.34
8	0.54	0.41	0.33	0.53	0.41	0.39	0.32	0.31
9	0.51	0.38	0.30	0.49	0.37	0.36	0.29	0.28
10	0.47	0.35	0.27	0.46	0.34	0.33	0.26	0.26

Floor	20%	20%	20%	20%	20%	10%	10%	10%
Ceiling	80%	80%	80%	70%	70%	50%	50%	0%
Wall	70%	50%	30%	70%	50%	50%	30%	30%
RCR	Zonal cavity coefficients			HBG632	Spacing ratio.		Along 1.2	Across 1.3
0	1.11	1.10	1.10	1.08	1.08	0.98	0.97	0.93
1	1.02	0.97	0.92	0.99	0.95	0.87	0.84	0.80
2	0.93	0.84	0.78	0.90	0.83	0.77	0.72	0.69
3	0.85	0.74	0.66	0.82	0.73	0.68	0.62	0.60
4	0.78	0.66	0.58	0.76	0.65	0.61	0.55	0.53
5	0.72	0.59	0.51	0.70	0.58	0.55	0.49	0.47
6	0.66	0.53	0.45	0.64	0.52	0.50	0.43	0.42
7	0.62	0.49	0.40	0.60	0.48	0.46	0.39	0.38
8	0.58	0.45	0.37	0.56	0.44	0.42	0.36	0.35
9	0.54	0.41	0.33	0.53	0.40	0.39	0.32	0.32
10	0.51	0.38	0.30	0.49	0.37	0.36	0.30	0.29

Floor	20%	20%	20%	20%	20%	10%	10%	10%
Ceiling	80%	80%	80%	70%	70%	50%	50%	0%
Wall	70%	50%	30%	70%	50%	50%	30%	30%
RCR	Zonal cavity coefficients			HBG654	Spacing ratio.		Along 1.2	Across 1.3
0	1.13	1.13	1.13	1.10	1.11	1.00	1.00	0.94
1	1.03	0.97	0.93	1.00	0.95	0.87	0.84	0.80
2	0.93	0.84	0.77	0.91	0.82	0.76	0.71	0.68
3	0.85	0.73	0.65	0.82	0.72	0.67	0.61	0.58
4	0.77	0.65	0.56	0.75	0.64	0.60	0.53	0.51
5	0.71	0.58	0.48	0.69	0.56	0.53	0.46	0.44
6	0.65	0.51	0.42	0.63	0.51	0.48	0.41	0.39
7	0.61	0.47	0.38	0.59	0.46	0.44	0.37	0.35
8	0.57	0.43	0.34	0.55	0.42	0.40	0.33	0.32
9	0.53	0.39	0.31	0.51	0.38	0.37	0.30	0.29
10	0.49	0.36	0.28	0.48	0.35	0.34	0.27	0.27

Catalog Number:
Notes: