

Indirect / Direct Recessed Retrofit Kit - Center Diffuser

Now most recessed troffers and parabolics can be converted to more efficient Indirect/Direct Center diffuser recessed fixture with this unique kit. This kit offers a true Indirect/Direct solution that not only provides a more energy efficient solution but also the true comfortable performance of an Indirect/Direct fixture designed especially for workspaces with CRT's. Most other kits simulate the appearance while providing direct light only. This kit provides true reflected light off of the highly reflective white reflector for a true "sky light effect." This unique kit works with T5 lamps in 1, 2 or 3 lamps with either a perforated center basket or a highly efficient specially designed acrylic diffuser. With this kit, you will get the energy savings and performance of the latest technology without the fuss and mess of changing out fixtures completely.



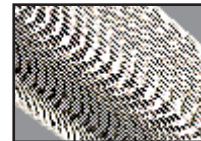
Standard Kits

Item Number	Dimensions (L x W x H)	Lamping
IRCPF214P	2X2 Perforated Center Basket Center T5	2-F14T5
IRCLR214P	2X2 Ribbed Lens Center KIT T5	2-F14T5
IRCPF228P	2X4 Perforated Center Basket Center T5	2-F28T5
IRCLR228P	2X4 Ribbed Lens Center KIT T5	2-F28T5

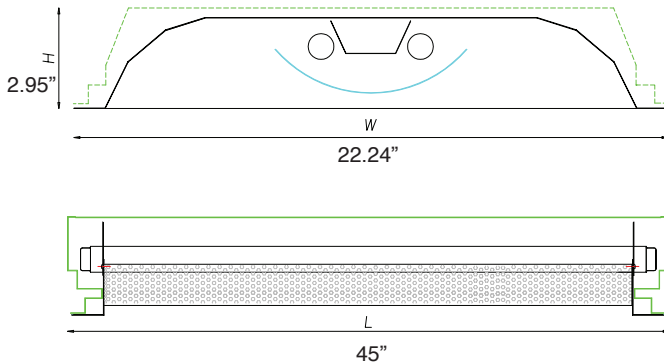
Configure to Your Specs
Available in 1, 2 or 3 lamps in T5.
For new fixture, see page 4.



Finished look after retrofitting.



Choice of perforated basket (PF) or linear ribbed acrylic diffuser (RL) shown. With linear ribbed diffuser, fixtures are over 80% efficient.



Customized Kits

SERIES IRCPF	TROFFER SIZE 22 - (2 X 2 Indirect Kit) 24 - (2 X 4 Indirect Kit)	NUMBER OF LAMPS 1 (1 Lamp) 2 (2 Lamp) 3 (3 Lamp)	LAMP TYPE 14 (T5 STD) 24 (T5 HO) 28 (T5 STD) 54 (T5 HO)	ALUMINUM REFLECTOR PF - Perforated Basket w/White Inlay RL - Ribbed Linear Acrylic Diffuser	SOCKET TYPE I (For Instant Start Ballast) P (For Program Start Ballast)	BALLAST TYPE* Blank (No Ballast Included) MV (Mult Volt Ballast) PMV (Program Start Ballast)	CONFIGURATION Blank (Components Bulk Packed and Unassembled) W (Wire Ballasts and Sockets Together)
------------------------	---	--	--	--	--	--	--

*For Specific Brand and Ballast Factor See Page 68 for Ordering Codes.

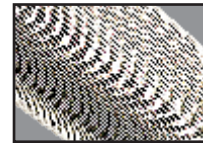
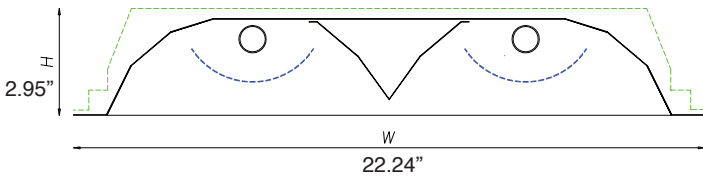
Indirect / Direct Recessed Retrofit Kit - Dual Diffuser

Now most recessed troffers and parabolics can be converted to more efficient Indirect/Direct Dual diffuser recessed fixture with this unique kit. This kit offers a true Indirect/Direct solution that not only provides a more energy efficient solution but also the true comfortable performance of an Indirect/Direct fixture designed especially for workspaces with CRT's. Most other kits simulate the appearance while providing direct light only. This kit provides true reflected light off of the highly reflective white reflector for a true "sky light effect." This unique kit works with T5 lamps in 2 or 4 lamps with either a perforated basket or a highly efficient specially designed acrylic diffuser. With this kit, you will get the energy savings and performance of the latest technology without the fuss and mess of changing out fixtures completely.



Standard Kits

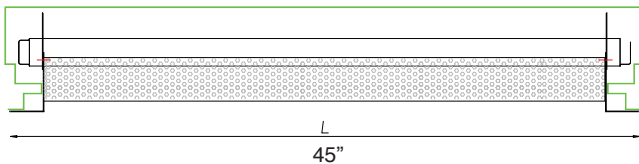
Item Number	Dimensions (L x W x H)	Lamping
IRDPF214P	2X2 Perforated Center Basket Center T5	2-F14T5
IRDLR214P	2X2 Ribbed Lens Center KIT T5	2-F14T5
IRDPF228P	2X4 Perforated Center Basket Center T5	2-F28T5
IRDLR228P	2X4 Ribbed Lens Center KIT T5	2-F28T5



Choice of perforated basket (PF) or linear ribbed acrylic diffuser (RL) shown. With linear ribbed diffuser, fixtures are over 80% efficient.

Configure to Your Specs

Available in 2 or 4 lamps in T5.
For new fixture, see page 4.



Customized Kits

SERIES IRDPF	NUMBER OF LAMPS 2 (2 Lamp) 4 (4 Lamp)	ALUMINUM REFLECTOR PF - Perforated Basket w/White Inlay RL - Ribbed Linear Acrylic Diffuser	BALLAST TYPE* Blank (No Ballast Included) MV (Mult Volt Ballast) PMV (Program Start Ballast)
TROFFER SIZE 22 - (2 X 2 Indirect Kit) 24 - (2 X 4 Indirect Kit)	LAMP TYPE 14 (T5 STD) 24 (T5 HO) 28 (T5 STD) 54 (T5 HO)	SOCKET TYPE I (For Instant Start Ballast) P (For Program Start Ballast)	CONFIGURATION Blank (Components Bulk Packed and Unassembled) W (Wire Ballasts and Sockets Together)

*For Specific Brand and Ballast Factor See Page 68 for Ordering Codes.