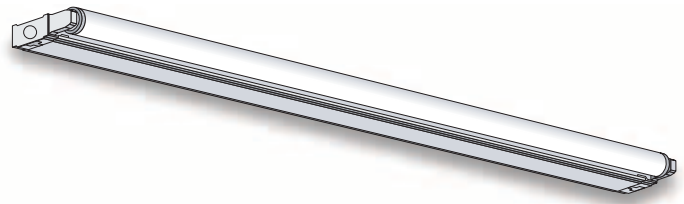


# Series KDSM

## Mini Body Side Mount Strip



### FEATURES & SPECIFICATIONS

#### INTENDED USE

Specification grade, side mount mini body strip for size critical applications such as display cabinets, coves, and other areas where space is at a premium. Available with T5 and T5HO.

#### SIZE W x L x H in inches (mm)

1.62W x 1.62H (40 x 40)

Fixture length = lamp(s) length

#### LAMP

1, 2, or 3 lamp positions.

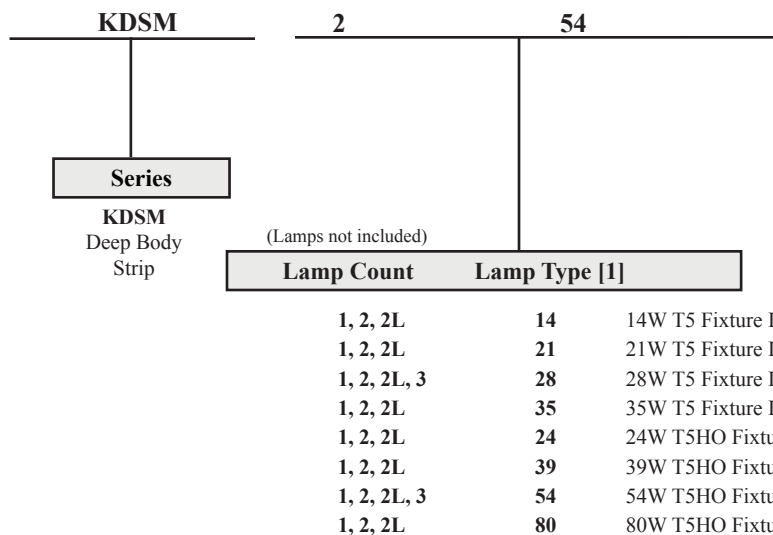
#### MATERIALS & FEATURES

Housing is die-formed and embossed code 22 gage steel. Finish is high reflectance baked white enamel. Wiring knockouts are provided on back, side, and end of housing. Ballast covers attach without tools to simplify ballast access.

SEE KDS for single top mount mini body strips

- T5 and T5HO lamp styles.
- Multiple lamp positions to match lighting application

### ORDERING INFORMATION



14	14W T5 Fixture Length = 21.62 in.
21	21W T5 Fixture Length = 33.38 in.
28	28W T5 Fixture Length = 45.25 in.
35	35W T5 Fixture Length = 57.12 in.
24	24W T5HO Fixture Length = 21.62 in.
39	39W T5HO Fixture Length = 33.38 in.
54	54W T5HO Fixture Length = 45.25 in.
80	80W T5HO Fixture Length = 57.12 in.

#### MOUNTING

Surface mount, chain hung, double stem. See end of chapter T02Strip for accessory mount kits.

#### LISTING

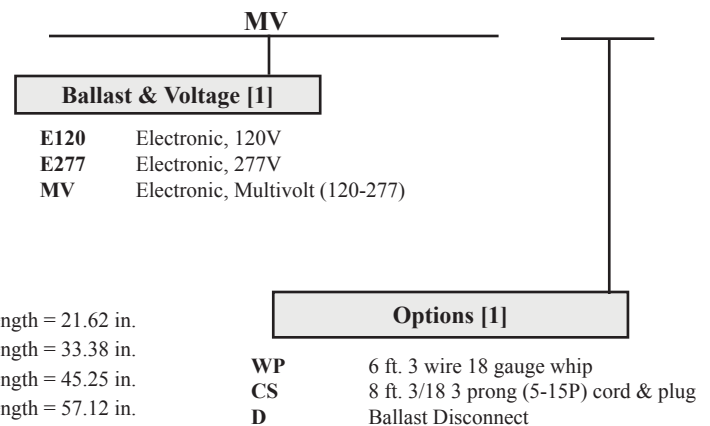
Fixture and Ballast: UL Listed.

Ballast: Thermally protected, class P, HPF, Non PCB; unless specified otherwise.

#### TYPICAL OPTIONS AND ACCESSORIES

Whips, fuses, and cord sets. See options page at the end of the T02Strip section, or contact factory for more details.

Example: **KDSM 2 54 MV**



#### Notes

[1] See end of T02Strip section for many additional lamps, ballasts, finishes, and options.

[2] 3 lamp configuration available in 45in model only.

[3] Custom reflectors available to create any light distribution.

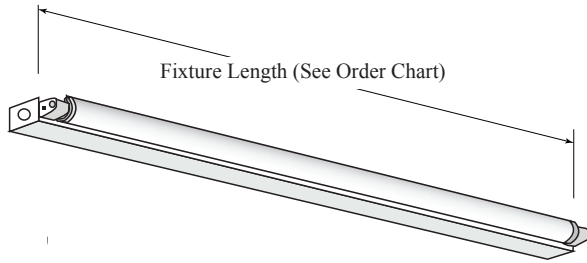
# Series KDSM

## Mini Body Side Mount Strip

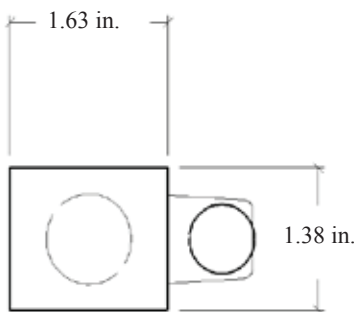


### DIMENSIONS

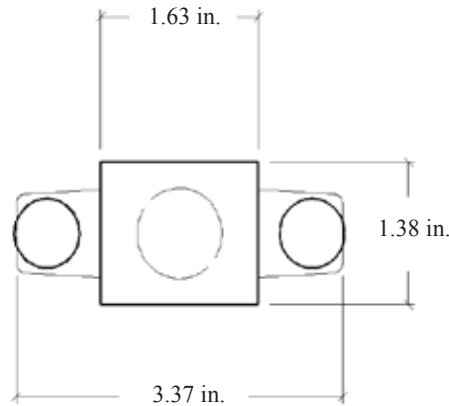
All dimensions are inches. Specifications subject to change without notice.



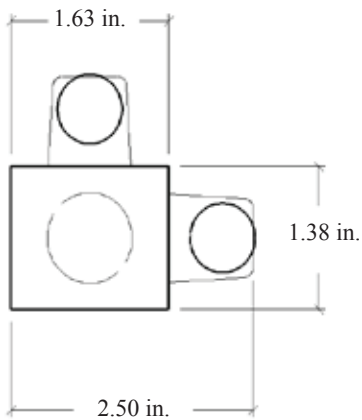
#### Lamp Count 1



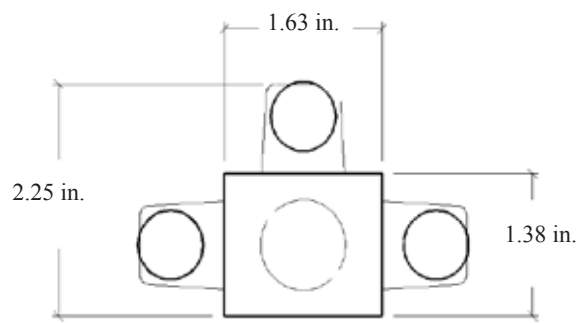
#### Lamp Count 2



#### Lamp Count 2L



#### Lamp Count 3



\*Available in 28 & 54W models only.

Catalog Number:
Notes: