

### FEATURES & SPECIFICATIONS

#### INTENDED USE

Specification grade, mini body strip for size critical applications such as display cabinets, coves, and other areas where space is at a premium. Available with T5 and T5HO lamps.

#### SIZE W x L x H in inches (mm)

1.62W x 1.62H (40 x 40)

Fixture length = lamp(s) length

#### MATERIALS & FEATURES

Housing is die-formed and embossed code 22 gage steel. Finish is high reflectance baked white enamel. Wiring knockouts are provided on back, side, and end of housing. Ballast covers or reflectors attach without tools to simplify ballast access.

- Single unit length and tandem length fixtures available.
- T5 and T5HO lamp styles.
- W3x, economical white steel reflectors, for abusive locations
  - Two styles: symmetric and asymmetric
- M2, premium full specular (mirrored) reflectors, for maximum efficiency
  - Two styles: symmetric and asymmetric

#### LAMP

1 lamp position.

#### MOUNTING

Surface mount.

#### LISTING

Fixture and Ballast: UL Listed.

Ballast: Thermally protected, class P, HPF, Non PCB; unless specified otherwise.

#### TYPICAL OPTIONS AND ACCESSORIES

Whips, fuses, and cord sets. See options page at the end of the T02Strip section, or contact factory for more details.

### ORDERING INFORMATION

Example: **KDS 154 E120**

<b>KDS</b>	<b>1</b>	<b>54</b>		<b>E120</b>
<b>Series</b>			<b>Reflectors [3]</b>	
<b>KDS</b> Mini Body Strip with or without Reflectors			<p><b>Blank</b> No Reflector</p> <p><b>W3 0</b> White Steel reflector Standard Mount</p> <p><b>W3 5</b> White Steel reflector Asymmetric</p> <p><b>M2 0</b> Mirrored reflector Standard Mount</p> <p><b>M2 5</b> Mirrored reflector Asymmetric</p> <p><b>Mirrored reflectors not available for 35W and 80W models</b></p>	
		(Lamps not included)		<b>Ballast &amp; Voltage [1]</b>
	<b>Lamp Count</b>	<b>Lamp Type [1] &amp; Tandem Code [2]</b>		<p><b>E120</b> Electronic, 120V</p> <p><b>E277</b> Electronic, 277V</p> <p><b>MV</b> Electronic, Multivolt (120-277)</p>
	1	14      14W T5 Fixture Length = 21.62 in.		
	1	21      21W T5 Fixture Length = 33.38		
	1	28      8 28W T5 Fixture Length = 45.25 in.      8ft. Tandem (2 lamp positions total)		
	1	35      35W T5 Fixture Length = 57.12 in.		
	1	24      24W T5HO Fixture Length = 21.62 in.		
	1	39      39W T5HO Fixture Length = 33.38 in.		
	1	54      8 54W T5HO Fixture Length = 45.25 in.      8ft. Tandem (2 lamp positions total)		
	1	80      80W T5HO Fixture Length = 57.12 in.		
		<b>Tandems not stocked. Contact factory for availability.</b>		<b>Options [1]</b>
				<p><b>WP</b> 6 ft. 3 wire 18 gauge whip</p> <p><b>CS</b> 8ft. 3/18 3 prong (5-15P) cord &amp; plug</p> <p><b>D</b> Ballast Disconnect</p>

#### Notes

- [1] See end of T02Strip section for many additional lamps, ballasts, finishes, and options.  
 [2] Tandem doubles length and lamp count. Same lamps in cross section, additional lamps end to end.  
 [3] Custom reflectors available to create any light distribution.

Catalog Number:
Notes:

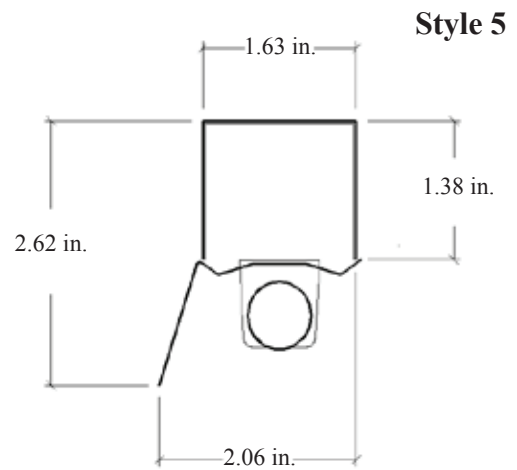
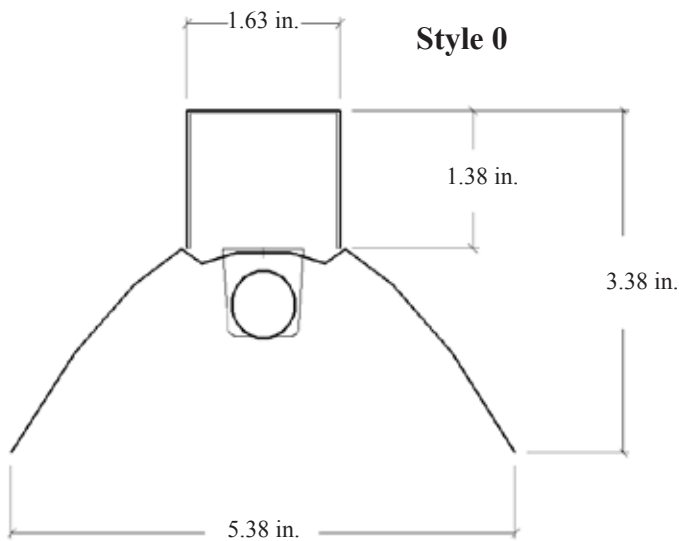
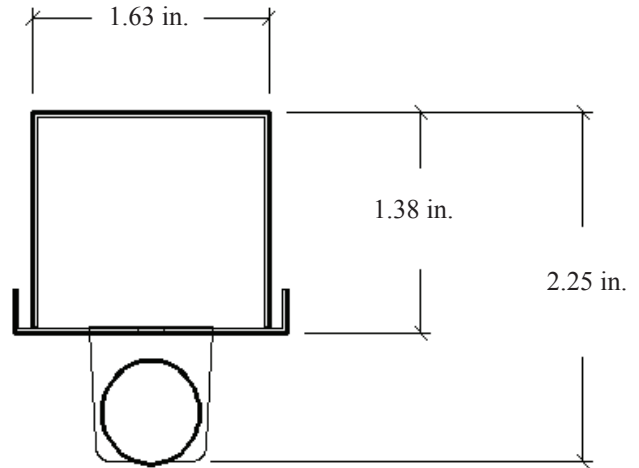
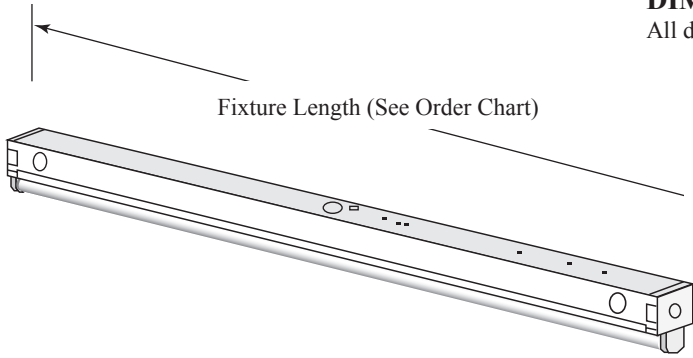
# Series KDS

## Mini Body Strip



### DIMENSIONS

All dimensions are inches. Specifications subject to change without notice.



Catalog Number:
Notes: