

LEDR1 Series

LED Emergency Unit



STANDARD

OPTIONAL



ILLUMINATION

- Long lasting, efficient, ultra bright white LED lamp heads.
- 1W (8 LEDs x 0.125 watt) per head.
- High performance chrome-plated metallized reflector and plastic lens for optimal light distribution.
- Adjustable LED lamp heads provide optimal center-to-center spacing. High-lumen option available for increased center-to-center spacing.

ELECTRICAL

- Dual 120/277 voltage standard. Optional 120/347V (for Canada) and multi-tap 208/220/240 voltage available.
- Charge rate/power "ON" LED indicator light and push-to-test switch for mandated code compliance testing.
- 3.6V long life, maintenance-free, rechargeable NiCd battery.
- Internal solid-state transfer switch automatically connects the internal battery to LED lamp heads for minimum 90-minute emergency illumination.
- Fully automatic solid-state, two rate charger initiates battery charging to recharge a discharged battery in 24 hours.

MOUNTING

- Surface mount via easy connect back plate, which fits most standard junction boxes and snaps into place making internal electrical connections.
- Top and side knockout for conduit applications.
- Suitable for wall or ceiling mount.

HOUSING

- Injection-molded, engineering grade, 5VA flame retardant, high-impact resistant, thermoplastic in white or black finish.

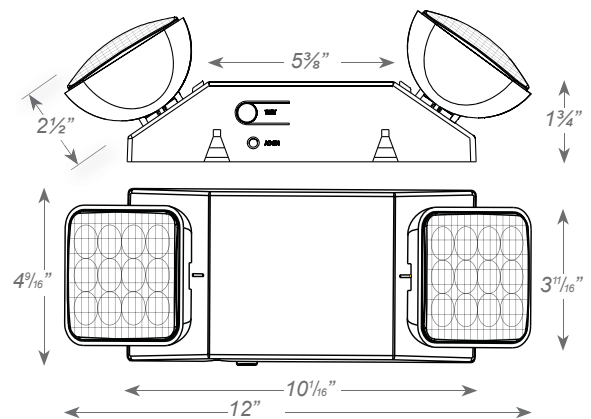
OPTIONS

- SDT: Self-diagnostic feature performs monthly, biannual, and annual tests to ensure reliable operation and meet electrical and life safety codes.
- HL: 12-LEDs per head provide increased center-to-center spacing.
- SPV: UL Listed for special voltage option.
- CSA: Tested to meet requirements of CSA C22.2 No. 141.10 standard for emergency lighting equipment.

WARRANTY / LISTING

- Five year warranty on all electronics and housing. Batteries pro rated for five years.
- UL (standard)/CSA (optional) listed for damp locations (0°C – 50°C).
- Meets UL924, NFPA 101 Life Safety Code, NEC, OSHA, Local and State Codes.

DIMENSIONS



ORDERING INFORMATION

| MODEL | HOUSING COLOR | OPTIONS |
|--------|---------------|--|
| LEDR-1 | Blank White | SDT Self-diagnostics |
| | B Black | SPV 208/220/240 Volt, 50/60Hz ¹ |
| | | HL High-Lumen |
| | | CSA 120/347V, 60Hz |

Sample Part Number: **LEDR-1**

1. Not available with SDT options.

| |
|----------------|
| Catalog Number |
| Notes: |



LEDR1 Series

LED Emergency Unit

ELECTRICAL INFORMATION

| CATALOG NUMBER | INPUT WATTS (W) | | | | | | INPUT AMPS (A) | | | | | |
|----------------|-----------------|------|------|------|------|------|----------------|-------|-------|-------|-------|-------|
| | 120V | 277V | 347V | 208V | 220V | 240V | 120V | 277V | 347V | 208V | 220V | 240V |
| LEDR-1 | 1.8 | 1.8 | - | 2.6 | 3.5 | 3.1 | 0.022 | 0.010 | - | 0.024 | 0.029 | 0.025 |
| LEDR-1 SDT | 1.6 | 1.6 | - | - | - | - | 0.020 | 0.010 | - | - | - | - |
| LEDR-1-CSA | 2.0 | - | 2.0 | - | - | - | 0.023 | - | 0.008 | - | - | - |

CENTER-TO-CENTER SPACING GUIDELINES

For reference only.



| | | | | | | | | | | | | | | | | |
|---|-----|-----|-----|-----|-----|-----|-----|-----|-----|-----|-----|-----|-----|-----|-----|---|
| 1 | 0.2 | 0.3 | 0.5 | 0.4 | 0.4 | 0.5 | 0.6 | 0.8 | 1.0 | 0.8 | 0.9 | 0.8 | 0.4 | 0.2 | 0.2 | |
| 2 | 0.3 | 0.5 | 0.7 | 0.8 | 0.9 | 0.8 | 0.9 | 1.0 | 1.1 | 1.4 | 1.1 | 0.8 | 0.5 | 0.3 | 0.2 | |
| 3 | 0.4 | 0.7 | 1.0 | 1.0 | 1.1 | 1.1 | 1.1 | 1.3 | 1.4 | 1.1 | 0.9 | 0.9 | 0.7 | 0.5 | 0.2 | |
| 4 | 0.5 | 0.7 | 0.9 | 1.1 | 1.2 | 1.2 | 1.0 | 1.1 | 1.1 | 1.0 | 1.1 | 0.8 | 0.6 | 0.3 | 0.2 | |
| 5 | 0.5 | 0.7 | 0.8 | 0.8 | 1.0 | 1.1 | 0.8 | 0.8 | 1.0 | 0.9 | 0.6 | 0.5 | 0.4 | 0.3 | 0.2 | |
| 6 | 0.4 | 0.5 | 0.7 | 0.7 | 0.8 | 0.8 | 0.6 | 0.5 | 0.6 | 0.5 | 0.4 | 0.4 | 0.3 | 0.2 | 0.2 | |
| | 7 | 6 | 5 | 4 | 3 | 2 | 1 | 0 | 1 | 2 | 3 | 4 | 5 | 6 | 7 | 8 |

Meets NFPA 101 Requirements for: 10' center-to-center spacing - 3' path of egress 1' from wall - 7 1/2' mounting height.

Texas Fluorescents

2055 Luna Rd., Suite 142 Carrollton, TX 75006
 Phone: 972-247-3171 Fax: 972-247-0200

www.texasfluorescents.com email: sales@texasfluorescents.com

| |
|----------------|
| Catalog Number |
| Notes: |