

## LET-151-12 DC

### UL File Numbers

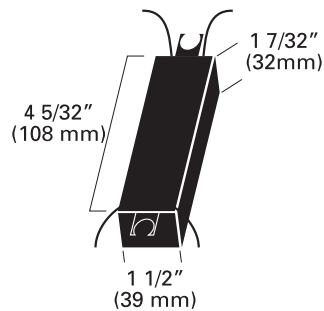
UL and C-UL Recognized  
UL FILE # E 164062

### Available Versions

901151120-Standard Version

### Mechanical and Thermal

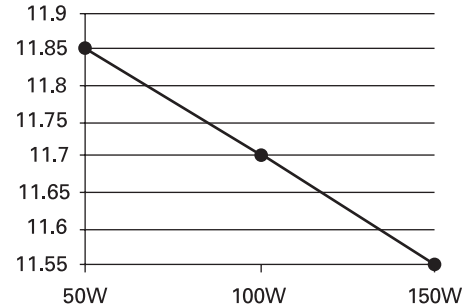
Dimensions 32mm x 39mm x 108mm  
Weight 0.5 lbs/225 grams  
Lead wire length 6"  
Max. case temp. 90°C  
Max. ambient temp. 35°C  
Output wire-blue-14AWG 200°C  
Input wire-white/black-18AWG 150°C  
Aluminum casing



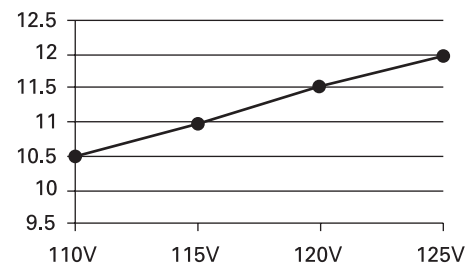
### Electrical

Maximum load 150w  
Minimum load 50w  
Input 120V 60Hz  
Output at max load 11.55V 120Hz  
Input current at max. load 1.25A  
Output current at max. load 12.56A  
Power factor 0.985  
Max. harmonic distortion <14.8%  
Dimmable

### Output Voltage vs. Load at 120V



### Output vs. Input at Max. Load



### Protection

Auto-reset electronic short circuit and overload protection. Auto-Reset thermal cut-off @ 125C.

### Wiring Diagram

