

SPECIFICATIONS

UL File Numbers

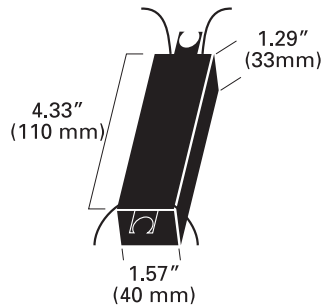
UL and C-UL Recognized
UL FILE # E 164062

Available Versions

901201012-Standard Version
with RFI filters

Mechanical and Thermal

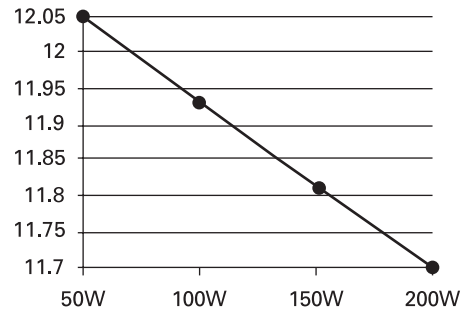
Dimensions 33mm x 40mm x 110mm
Weight 11.68 ounces/331 grams
Lead wire length 8"
Max. case temp. 90°C
Max. ambient temp. 35°C
Output wire-blue-14AWG 200°C
Input wire-white/black-18AWG 150°C
Aluminum casing



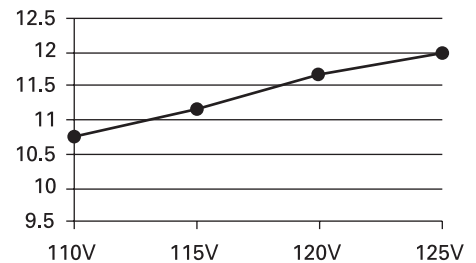
Electrical

Maximum load 200w
Minimum load 50w
Input 120V 60Hz
Output at max load 11.7V 29kHz
Input current at max. load 1.7A
Output current at max. load 17A
Power factor 0.98
Max. harmonic distortion 10%
Dimmable

Output Voltage vs. Load at 120V



Output vs. Input at Max. Load



Protection

Auto-reset electronic short circuit and overload protection. Auto-Reset thermal cut-off @ 125C. Includes Lightech's patented overload and overtemperature auto-thermal regulation.

Wiring Diagram

