

SPECIFICATIONS

**UL File Numbers**

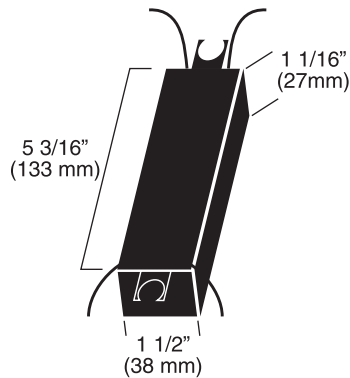
UL and C-UL Recognized  
UL FILE # E 164062

**Available Versions**

901303000-Standard Version

**Mechanical and Thermal**

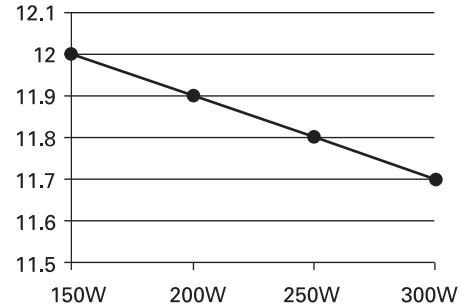
Dimensions 27mm x 38 mm x 133 mm  
Weight 11.02 ounces/330 grams  
Lead wire length 6"  
Max. case temp. 90°C  
Max. ambient temp. 35°C  
Output wire-blue-12 AWG 200°C  
Input wire-white/black-18AWG 150°C  
Aluminum casing



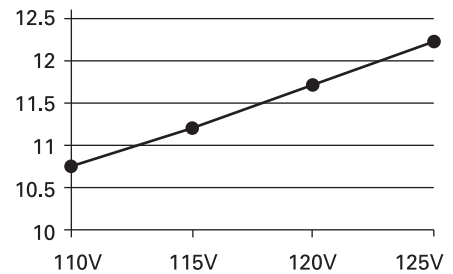
**Electrical**

Maximum load 300w  
Minimum load 50w  
Input 120V 60Hz  
Output at max load 11.7V 30kHz  
Input current at max. load 2.5A  
Output current at max. load 25.5A  
Power factor 0.985  
Max. harmonic distortion 9%  
Dimmable

**Output Voltage vs. Load at 120V**



**Output vs. Input at Max. Load**



**Protection**

Auto-reset electronic short circuit and overload protection. Auto-Reset thermal cut-off @ 125C.

**Wiring diagram**

