

LET-303-12 DC New Version

SPECIFICATIONS

UL File Numbers

UL and C-UL recognized
UL FILE # E 254177

Available Version

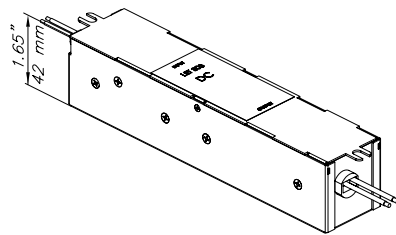
901303111-Standard Version

Mechanical and Thermal

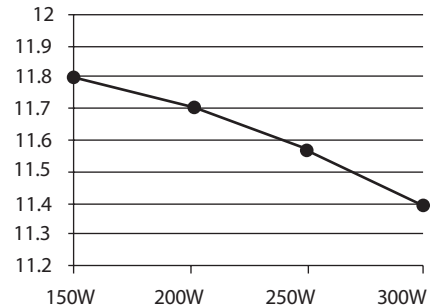
Dimensions(mm)	207 x 40 x 42
Dimensions (in.)	8.15 x 1.6 x 1.65
Weight	13 ounces/370 grams
Lead wire length	6.2"
Max. case temp.	90 °C
Max. ambient temp.	45 °C
Output wire-blue-12 AWG	200 °C
Input wire-white/black-18AWG	150 °C
Color	Black

Electrical

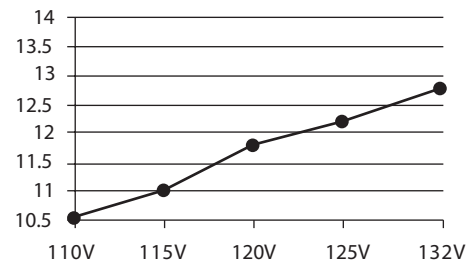
Maximum load	300w
Minimum load	50w
Input	120V 60Hz
Output at max load	11.8V DC
Input current at max. load	2.5A
Output current at max. load	24.8A
Power factor	0.98
Max. harmonic distortion	3.5%
Dimmable with trailing and leading edge dimmers	



Output Voltage vs. Load at 120V

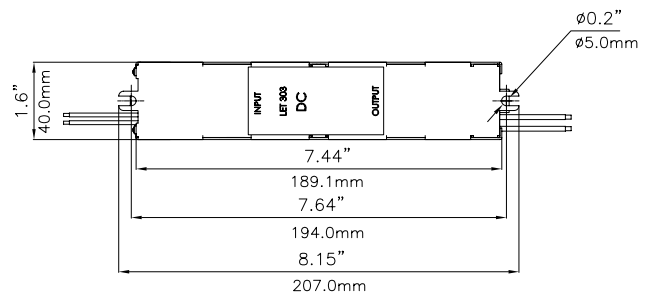


Output vs. Input at Max. Load



Protection

Resettable electronic short circuit protection. Auto-reset overload protection. Auto-Reset thermal cut-off @ 125C.

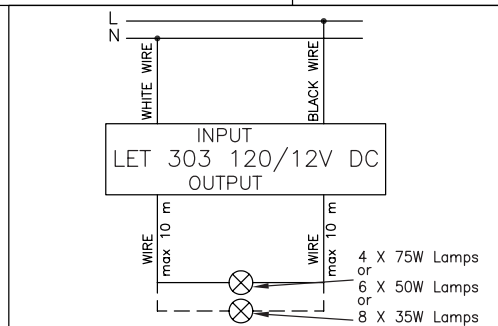
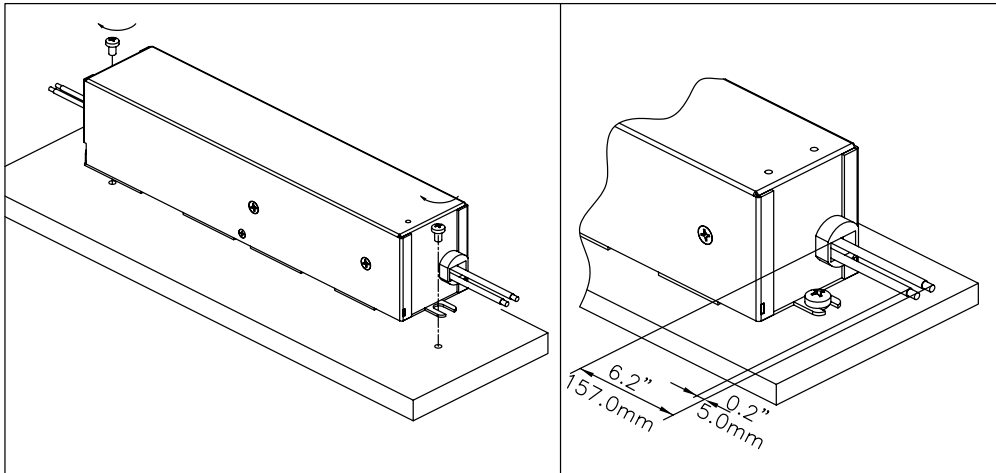


See reverse side for more information →



LET-303-12 DC New Version

Mounting Instructions



Safety Instructions:

1. Please note national installation regulations.
2. The measurement of secondary voltage can only be done with suitable measuring instruments.
3. Wires diameter: Input – 18 AWG
Output – 12 AWG.