

SPECIFICATIONS

**Standards**

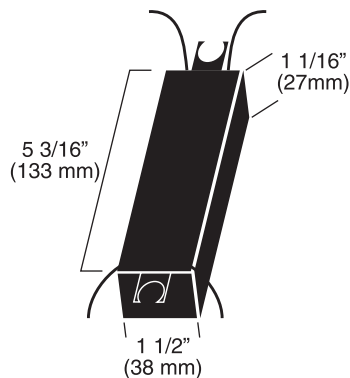
UL and C-UL Recognized  
UL FILE # E 164062

**Available Version**

901303010-Standard Version

**Mechanical and Thermal**

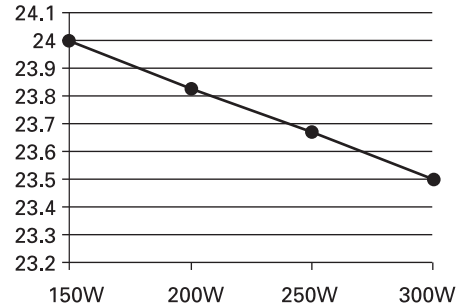
Dimensions (mm) 27 x 38 x 133  
 Weight 11.02 ounces/330 grams  
 Lead wire length 6"  
 Max. case temp. 90°C  
 Max. ambient temp. 35°C  
 Output wire-purple-14 AWG 200°C  
 Input wire-white/black-18AWG 150°C  
 Aluminum casing



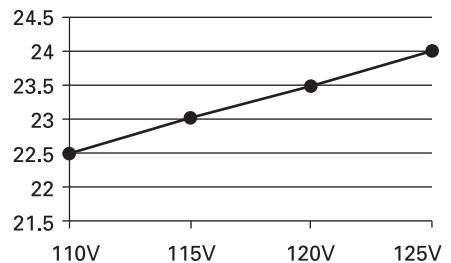
**Electrical**

Maximum load 300w  
 Minimum load 50w  
 Input 120V 60Hz  
 Output at max load 23.5V 30kHz  
 Input current at max. load 2.5A  
 Output current at max. load 13.3A  
 Power factor 0.985  
 Max. harmonic distortion 2.3%  
 Dimmable

**Output Voltage vs. Load at 120V**



**Output vs. Input at Max. Load**



**Protection**

Auto-reset electronic short circuit and overload protection. Auto-Reset thermal cut-off @ 125C.

**Wiring Diagram**

