

Project	Type

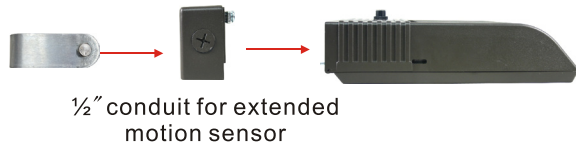
Features and Benefits

Full cutoff outdoor wall mount area light. This beauty performs efficiently with strategic lens providing even light distribution. Using the latest CREE LED chips, fixture provides similar light output to a 200W metal halide for less than 1/2 the energy! This fixture combines energy efficiency, extremely long life and stylized design... beautiful in appearance and performance, and sustainable for the environment.

Ideal for side of buildings, commercial and hospitality. Use wherever good lighting is required with minimal energy and bulk.

Technical Specifications

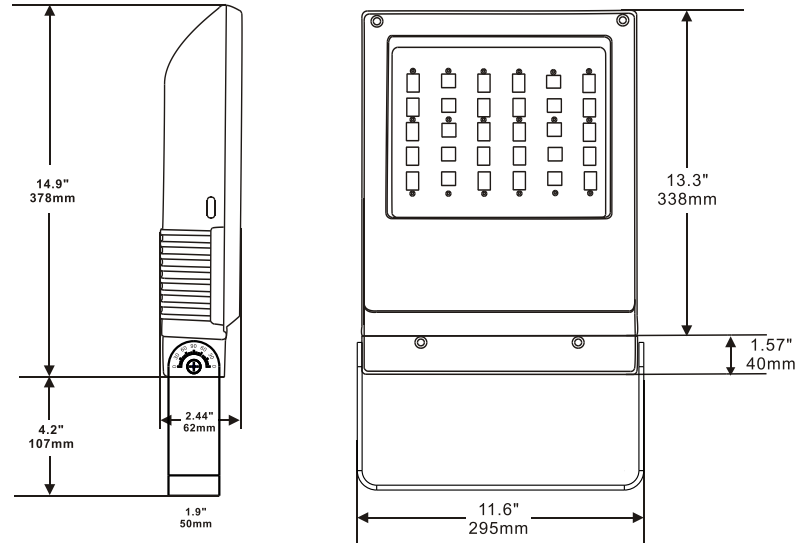
- Die cast housing
- Architectural bronze UV resistant outdoor powder coat finish
- UL listed / CUL listed for damp locations
- Input voltage: 120~277V AC
- Quality long life CREE LEDs
- LowTj for long life, low lumen depreciation
- Low starting temp - 30°C
- Color temperature - 5000K (consult for other colors)
- IC current controlled LED circuits for current stability
- System input watts : 58W (30leds)
- **3 Year Warranty**



LFL Series LED Wall Mount Light



DIMENSIONS

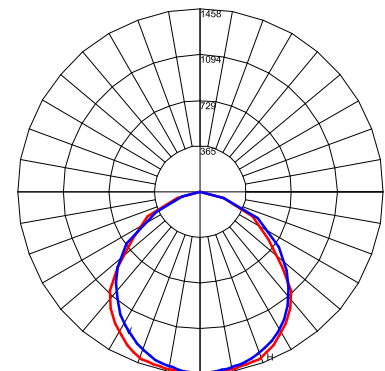


DLC Listed

Powered by CREE LEDs™

Example: **LFL12L58W4000L50KBZ**

SERIES	SIZE	WATTS/LUMENS	COLOR TEMP	FINISH	OPTIONS*
LFL - LED Wall Mount Light	12L - 12" Wide	58W4000L - 58 Watts/ 4000 Lumens	50K - 5000 Kelvins	BZ - Bronze	PC120 - 120V Photocell PC277 - 277V Photocell



Maximum Candela = 1458.048 Located At Horizontal Angle = -6, Vertical Angle = -1
H - Horizontal Axial Candela
V - Vertical Axial Candela

*Order Separately