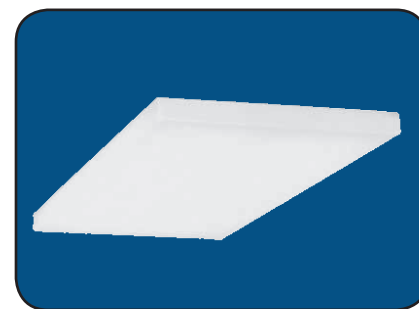


# LUM Series

## Contemporary LUM



### FEATURES & SPECIFICATIONS

#### INTENDED USE

Premium grade, designer, shallow, surface mounted wraparound luminaire. For use in indoor application where aesthetics and quality are important, such as kitchens, recreation rooms, nursing homes, retail stores, and office areas. Regressed housing provides a floating

#### SIZE W x L x H in inches (mm)

1x4: 14.5W x 50.5L x 6.0Dp  
2x2: 26.5W x 26.5L x 6.0Dp  
2x4: 26.5W x 50.5L x 6.0Dp  
4x4: 49.5W x 50.5L x 6.0Dp

#### LAMP

2, 4, or 8 lamp positions

#### MOUNTING

Mounts over electrical junction box. Offset mounting pads which keeps luminaire level and slightly off of mounting surface, are formed within the housing. Mounting holes are provided within offset to prevent distortion of housing when tightening mounting fasteners.

#### ELECTRICAL

Unless otherwise specified, ballasts are rapid start, class "P" thermally protected, H.P.F., CBM-ETL. Optional ballasts available include: energy saving (ESB), electronic (ELB), dimming (DIM), low temperature (CW). Standard voltage on all fixtures is 120V 60HZ AC, or as specified. Sufficient knockouts are provided on the back for all connections and through wiring.

#### CONSTRUCTION

Die formed and spot welded, 22 gauge cold rolled steel housing. Spot-welded for rigidity and clean appearance. Ballast cover snaps into place eliminating the need for tools when accessing the ballast. Diffuser hinges from either side in a lift and shift manner and is self centering.

#### DIFFUSER

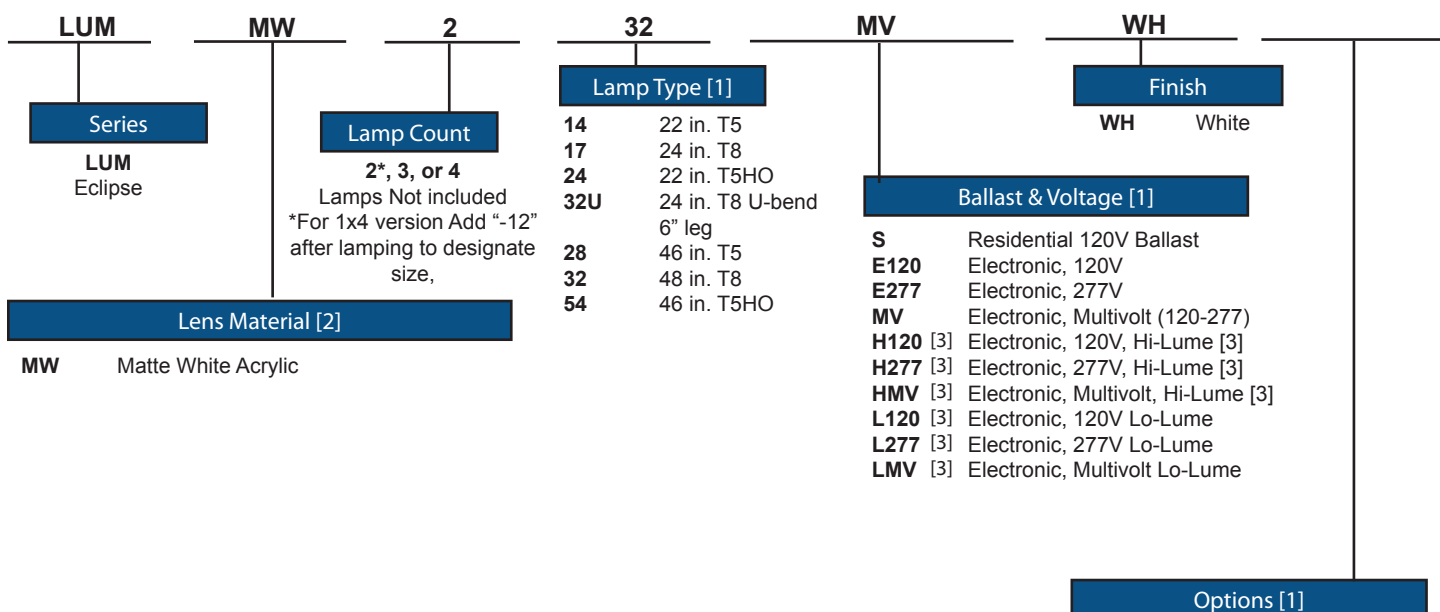
Specially formed plastic diffuser produces flawless light source with even illumination on all sides, and no distracting dark spots. Invisible hanging clips permit removal of lens from either side.

#### LISTING

Fixture & Ballast: UL Listed Ballast: Thermally protected, class P, HPF, Non PCB

### ORDERING INFORMATION

Example: LUMMW232MVWH



#### Notes

- [1] See end of T02SURF for many additional lamps, ballasts, finishes, and options.  
[2] Custom louvers available in any cell configuration. Consult factory for additional information.  
[3] HiLume and LoLume ballasts available for T8 lamps only.  
[4] Consult factory for custom finishes.

Texas Fluorescents

2055 Luna Rd. Suite 142 Carrollton, TX 75006

Phone: 972-247-3171 Fax: 972-247-0200

www.texasfluorescents.com email: sales@texasfluorescents.com

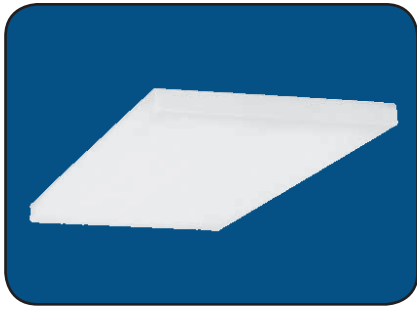
Catalog Number:

Notes:

Note: EM14 required for T5HO lamps

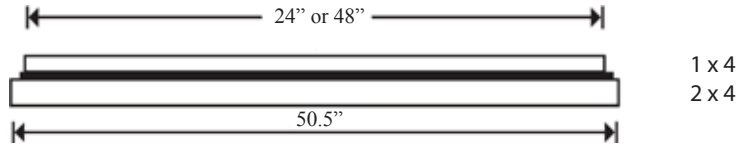
# LUM Series

Contemporary LUM

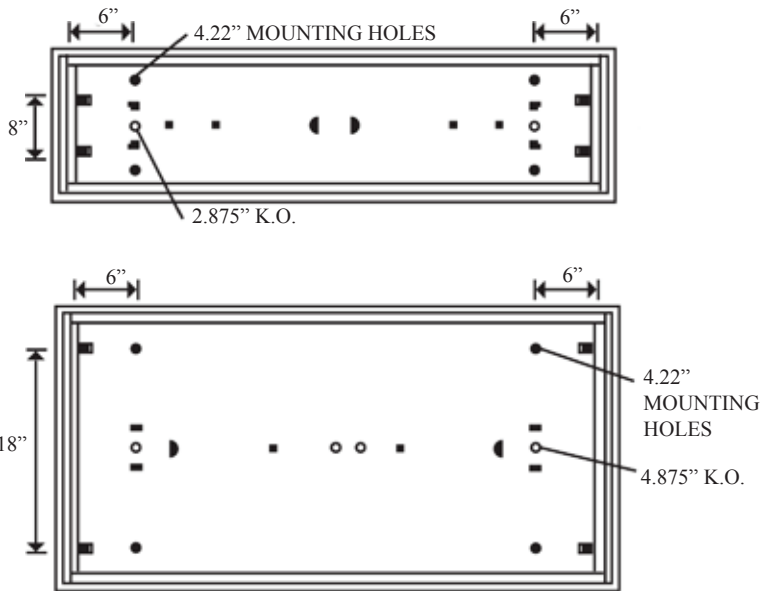


All dimensions are inches. Specifications subject to change without notice.

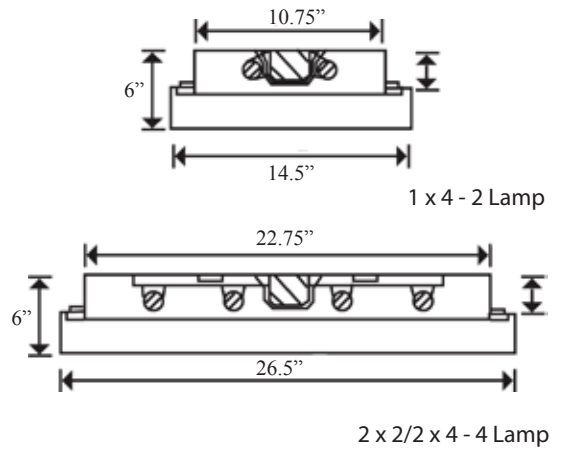
### SIDE VIEW



### TOP VIEWS



### CROSS SECTIONS



Catalog Number:
Notes: