

## LVT-303-12 DC New Version

SPECIFICATIONS

### UL File Numbers

UL and C-UL listed  
UL FILE # E 254177

### Available Version

901303122-Standard Version

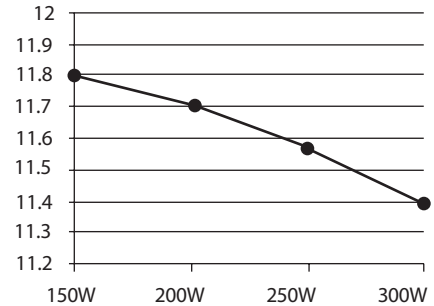
### Mechanical and Thermal

Dimensions (mm)	265 x 42.5 x 47.6
Dimensions (in.)	10.43 x 1.67 x 1.87
Weight	27ounces/760 grams
Lead wire length	6.2"
Max. case temp.	90 °C
Max. ambient temp.	45 °C
Output wire-blue-12 AWG	200 °C
Input wire-white/black-18AWG	150 °C

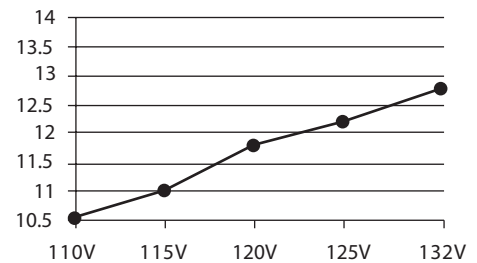
### Electrical

Load	50-300W
Input	120V 60Hz
Output at 300W	11.8V DC
Input current at 300W	2.5A
Output current at 300W	24.8A
Power factor	0.98
Max. harmonic distortion	3.5%
Dimmable with trailing and leading edge dimmers	

### Output Voltage vs. Load at 120V

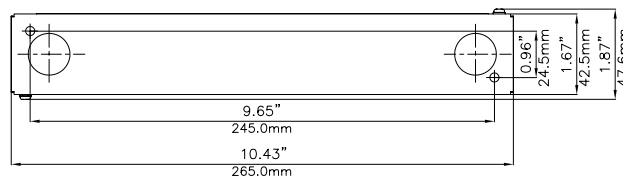
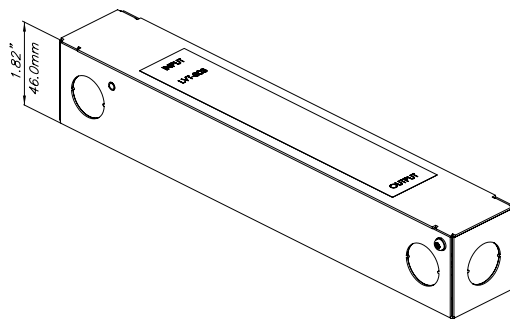


### Output vs. Input at Max. Load



### Protection

Resettable electronic short circuit protection. Auto-reset overload protection. Auto-Reset thermal cut-off @ 125C.

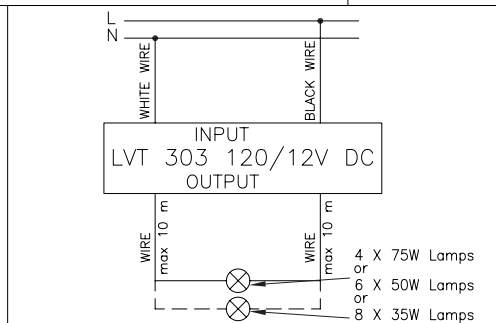
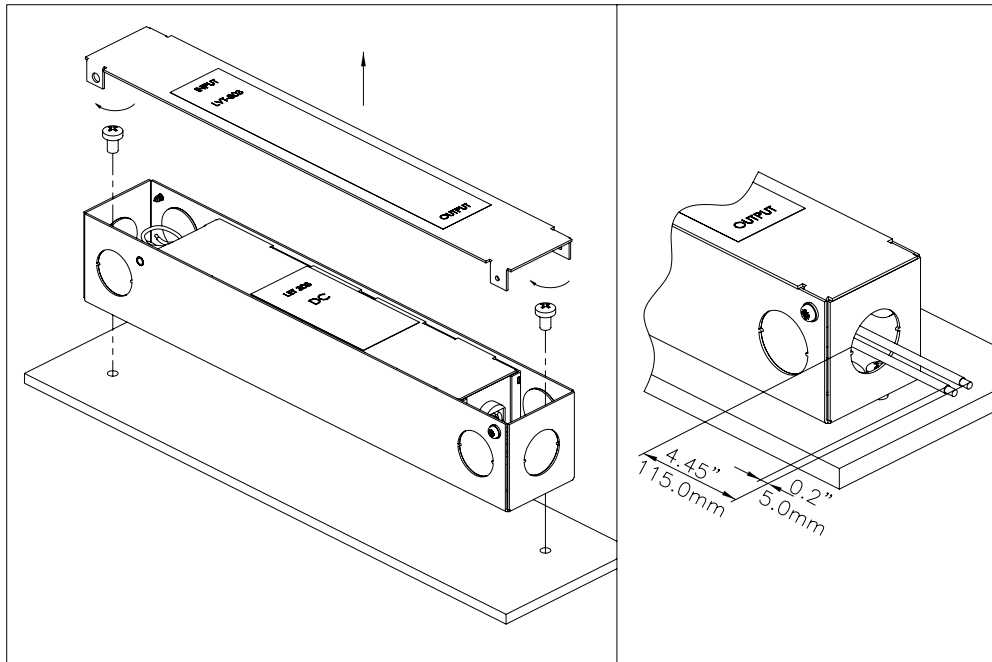


See reverse side for more information →



# LVT-303-12 DC New Version

## Mounting Instructions



## Safety Instructions:

1. Please note national installation regulations.
2. The measurement of secondary voltage can only be done with suitable measuring instruments.
3. Wires diameter: Input – 18 AWG  
Output – 12 AWG.