

UL File Numbers

UL and C-UL Listed
UL FILE # E 164062

Available Versions

901151050-LVT 151 12V
901151170-LVT 151 24V

Mechanical and Thermal

Dimensions (mm) 36 x 38 x 165
Dimensions (in.) 1 3/8 x 1 1/2 x 6 1/2
Weight 0.86 lbs/390 grams
Lead wire length 6"
Max. case temp. 90°C
Max. ambient temp. 35°C
Output wire-blue-14 AWG (12V) 200°C
Output wire-purple-16 AWG (24V) 200°C
Input wire-white/black-18AWG 150°C
Grounding Wire-green-18AWG 105°C
Aluminum inner casing
Steel outer casing

Electrical

Load 50-150W
Input 120V 60Hz
Output at 150W/12V ver. 11.8V 30kHz
Output at 150W/24V ver. 23.4V 30kHz
Input current at 300W 1.25A
Output current at 150W/12V ver. 12.56A
Output current at 150W/24V ver. 6.3A
Power factor 0.985
Max. harmonic distortion 12V 14.8%
Max. harmonic distortion 24V 9%
Dimmable



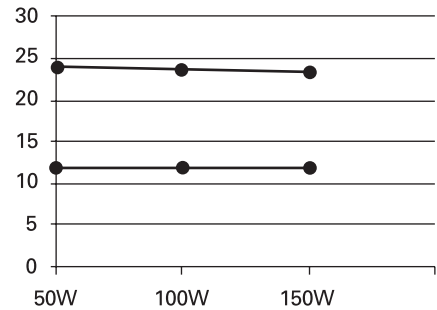
Inside the LVT



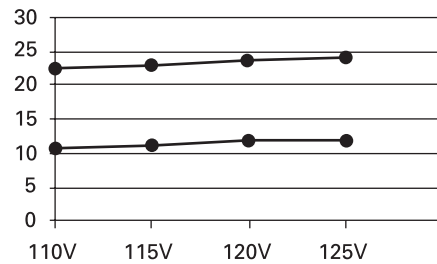
Power supply listed 7D 53

LVT-151 AC

Output Voltage vs. Load at 120V
Top line -24V version Bottom line -12V version



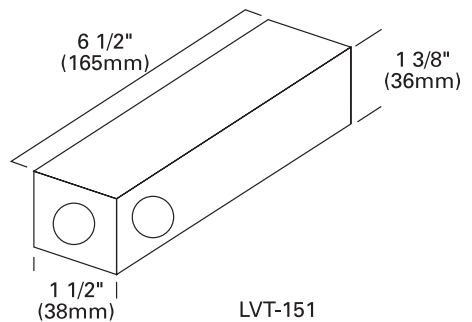
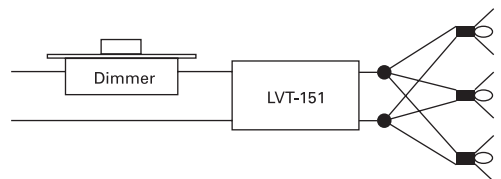
Output vs. Input at Max. Load
Top line -24V version Bottom line -12V version



Protection

Auto-reset electronic short circuit and overload protection. Auto-Reset thermal cut-off @ 125C. Fuse on primary.

Wiring Diagram



UL File Numbers

UL and C-UL Listed
UL FILE # E 164062

Available Versions

901151140-LVT 151 12V DC

Mechanical and Thermal

Dimensions (mm) 40 x 43 x 190
 Dimensions (in.) 1 17/32 x 1 11/16 x 7 1/2
 Weight 1.48 lbs/670 grams
 Lead wire length 6"
 Max. case temp. 90°C
 Max. ambient temp. 35°C
 Output wire-blue-14 AWG (12V) 200°C
 Input wire-white/black-18AWG 150°C
 Grounding Wire-green-18AWG 105°C
 Aluminum inner casing
 Steel outer casing

Electrical

Load 50-150W
 Input 120V 60Hz
 Output at 150W 11.55V 120Hz
 Input current at 150W 1.25A
 Output current at 150W 12.56A
 Power factor 0.985
 Max. harmonic distortion 12V <14.8%
 Dimmable



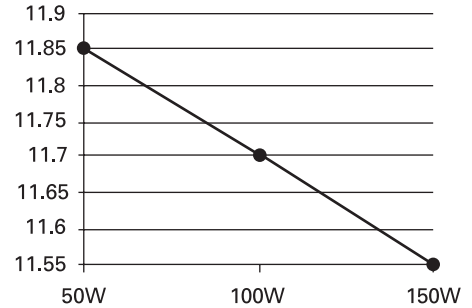
Inside the LVT



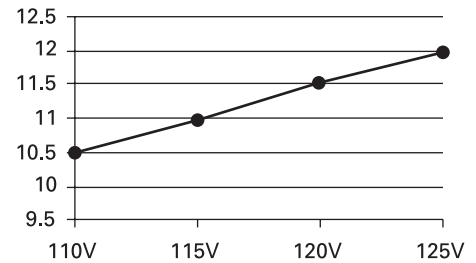
Power supply listed 7D 53

LVT-151-12 DC

Output Voltage vs. Load at 120V



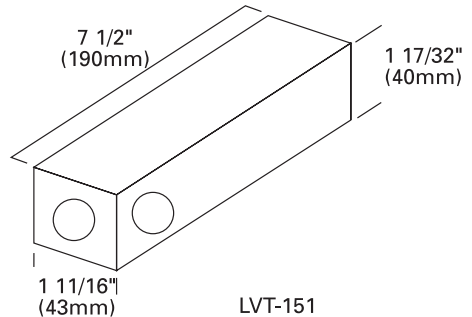
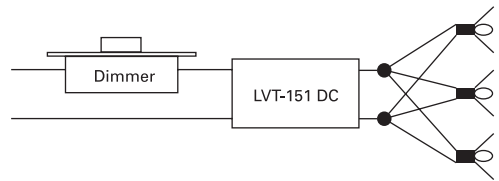
Output vs. Input at Max. Load



Protection

Auto-reset electronic short circuit and overload protection. Auto-Reset thermal cut-off @ 125C.

Wiring Diagram



LVT-303-12 DC New Version

SPECIFICATIONS

UL File Numbers

UL and C-UL listed
UL FILE # E 254177

Available Version

901303122-Standard Version

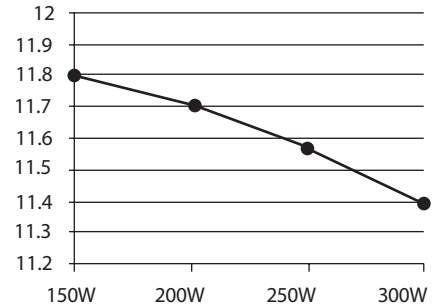
Mechanical and Thermal

Dimensions (mm)	265 x 42.5 x 47.6
Dimensions (in.)	10.43 x 1.67 x 1.87
Weight	27ounces/760 grams
Lead wire length	6.2"
Max. case temp.	90 °C
Max. ambient temp.	45 °C
Output wire-blue-12 AWG	200 °C
Input wire-white/black-18AWG	150 °C

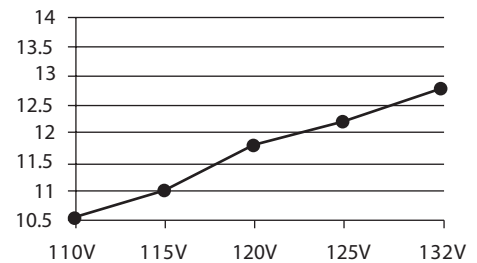
Electrical

Load	50-300W
Input	120V 60Hz
Output at 300W	11.8V DC
Input current at 300W	2.5A
Output current at 300W	24.8A
Power factor	0.98
Max. harmonic distortion	3.5%
Dimmable with trailing and leading edge dimmers	

Output Voltage vs. Load at 120V

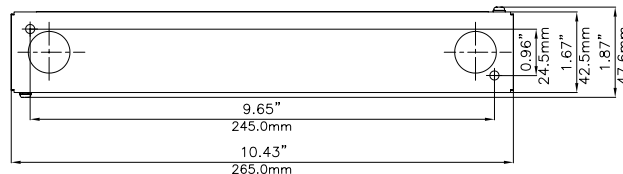
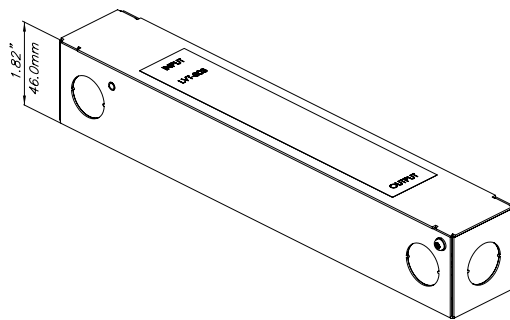


Output vs. Input at Max. Load



Protection

Resettable electronic short circuit protection. Auto-reset overload protection. Auto-Reset thermal cut-off @ 125C.

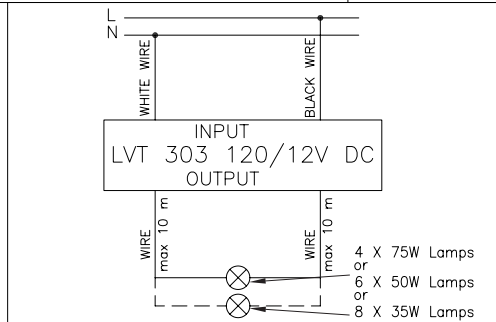
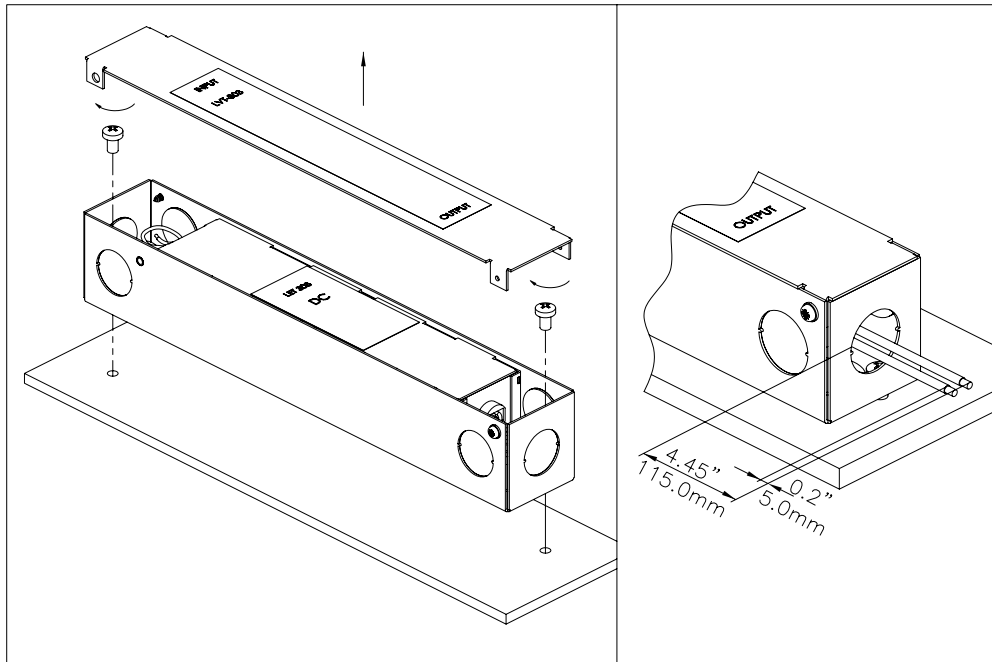


See reverse side for more information →



LVT-303-12 DC New Version

Mounting Instructions



Safety Instructions:

1. Please note national installation regulations.
2. The measurement of secondary voltage can only be done with suitable measuring instruments.
3. Wires diameter: Input – 18 AWG
Output – 12 AWG.

LVT-303 AC

SPECIFICATIONS

UL File Numbers

UL and C-UL Listed
UL FILE # E 164062

Available Versions

901303070-LVT 303 12V
901303100-LVT 303 24V

Mechanical and Thermal

Dimensions (mm) 36 x 42 x 240
Dimensions (in.) 1 7/16 x 1 5/8 x 9 3/8
Weight 1.48 lbs/670 grams
Lead wire length 6"
Max. case temp. 90°C
Max. ambient temp. 35°C
Output wire-blue-12 AWG (12V) 200°C
Output wire-purple-14 AWG (24V) 200°C
Input wire-white/black-18AWG 150°C
Grounding Wire-green-18AWG 105°C
Aluminum inner casing
Steel outer casing

Electrical

Load 50-300W
Input 120V 60Hz
Output at 300W/24V ver. 11.7V 30kHz
Output at 300W/24V ver. 23.5V 30kHz
Input current at 300W 2.5A
Output current at 300W/12V ver. 25.5A
Output current at 300W/24V ver. 13.3A
Power factor 0.985
Max. harmonic distortion 12V 9%
Max. harmonic distortion 24V 2.3%
Dimmable



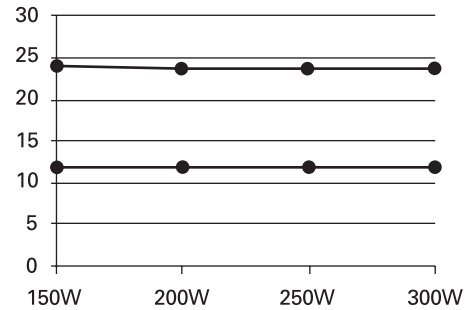
Inside the LVT



Power supply listed 7D 53

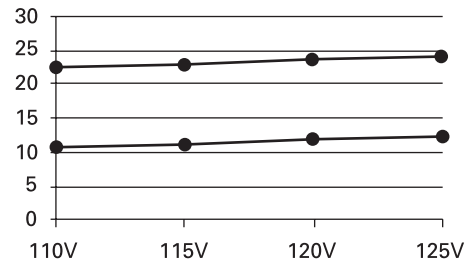
Output Voltage vs. Load at 120V

Top line -24V version Bottom line -12V version



Output vs. Input at Max. Load

Top line -24V version Bottom line -12V version



Protection

Auto-reset electronic short circuit and overload protection. Auto-Reset thermal cut-off @ 125C. Fuse on primary.

Wiring Diagram

