

LXT Series

2x2/2x4 LED/FLUOR

FEATURES & SPECIFICATIONS

INTENDED USE

The LXT offers the look and feel of a fluorescent luminaire - subtle soft direct elements, interest and depth across the ceiling plane - with a contemporary look that blends with today's commercial spaces.

The extruded acrylic lens with softening overlay provides a low brightness glow, with the effective combination of excellent light transmission and effective lamp obscuration.

APPLICATIONS

For recessed commercial applications such as offices, hospitals, schools, etc. Suitable for use in standard 15/16" inverted T-bar grid ceilings.

FEATURES

- High reflectance optical engine delivers main beam focus through the optically designed acrylic lens
- Linear ribbed acrylic lens with Lumieo overlay manages the balance of efficiency and aesthetics
- Reflector distributes light through both optical elements
- Linear arrayed LED modules provide soft, but effective illumination

SPECIFICATIONS

HOUSING

Low Profile body with matte white sloped side members

DIRECT OPTICAL COMPONENT

High reflectance optical engine

DIFFUSER SURROUND

Linear ribbed acrylic lens with Lumieo

REFLECTOR

High reflectance white reflector

LUMINAIRE TYPE

Recessed troffer fixture body assembly 2'x2' and 2'x4' size

LIGHT SOURCE

- LED light engine includes 50 chip board and matched driver from LG Innotek
- Linear fluorescent options in T5, T5HO or bi-axial lamps



Item Number	Dimensions (LxWxH)	Lamping
LXT224MV	23.8" x 23.8" x 2.9"	2-F24T5HO
LXT254MV	23.8" x 47.8" x 2.9"	2-F54T5HO
LXT22L36W3550LDMV40K	23.8" x 23.8" x 2.9"	100 LEDS, 35.6W, 3548 Lumens, 4000K
LXT24L52W5800LDMV 40K	23.8" x 47.8" x 2.9"	200 LEDS, 52W, 5827 Lumens, 4000K

LXT Series

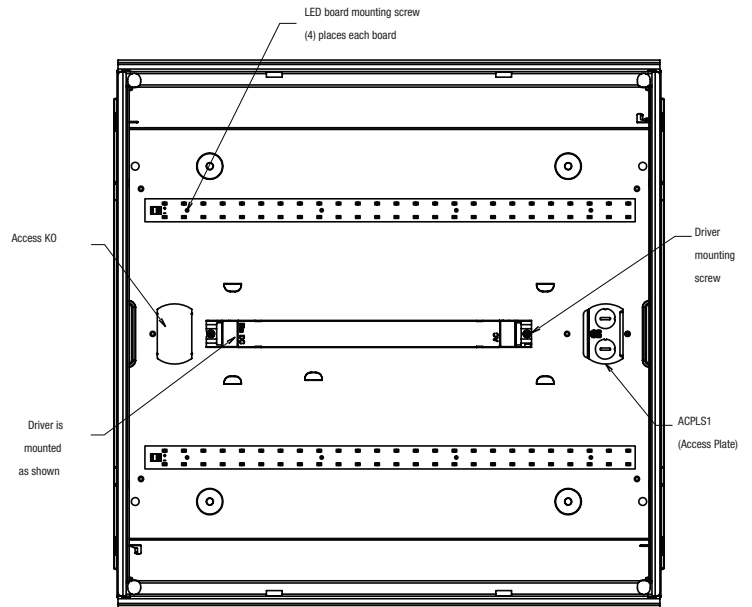
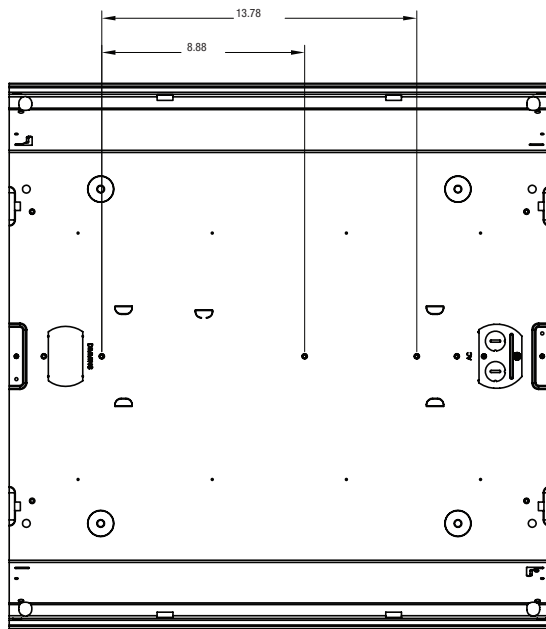
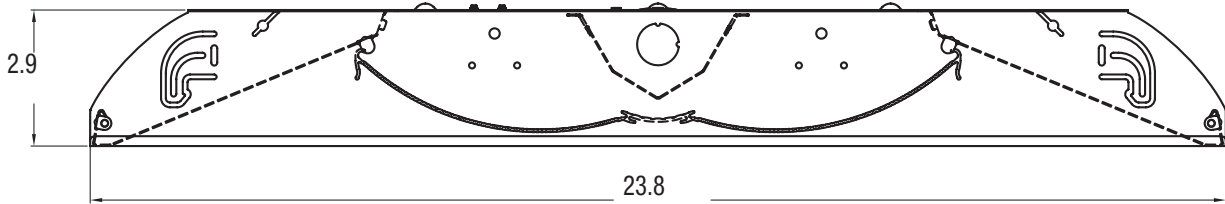
2x2/2x4 LED/FLUOR



TEXAS

FLUORESCENTS

END PROFILE



Texas Fluorescents
2055 Luna Rd. Suite 142 Carrollton, TX 75006
Phone: 972-247-3171 Fax: 972-247-0200
www.texasfluorescents.com Email: sales@texasfluorescents.com

Catalog Number:

Notes:

LXT Series

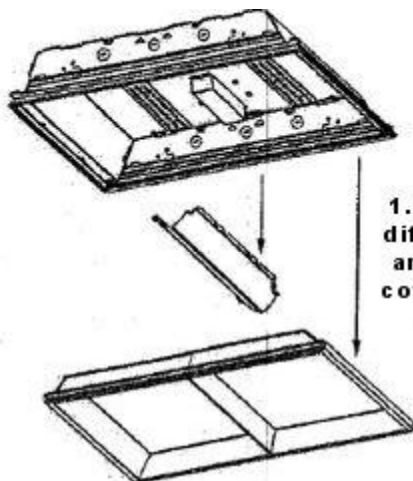
2x2/2x4 LED/FLUOR



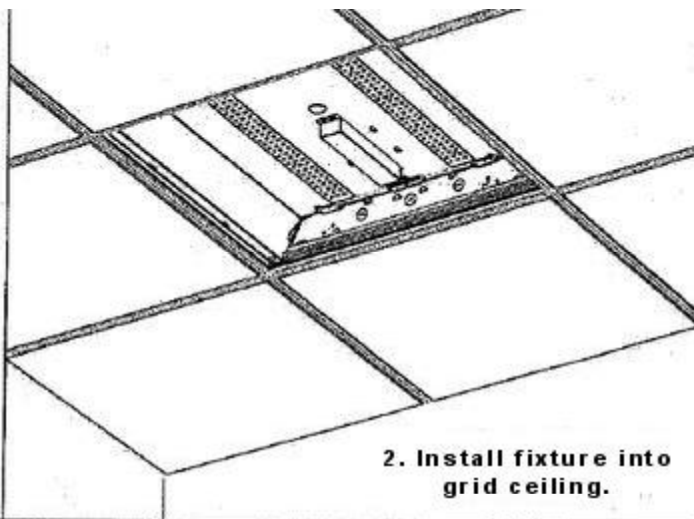
TEXAS

FLUORESCENTS

LED Recessed 2' x 2' Troffer Installation Instructions

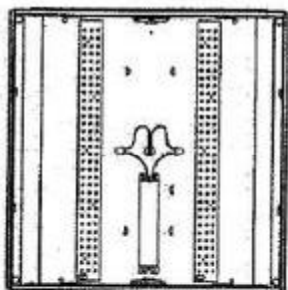


1. Remove louver/
diffuser assembly
and center driver
cover from fixture.

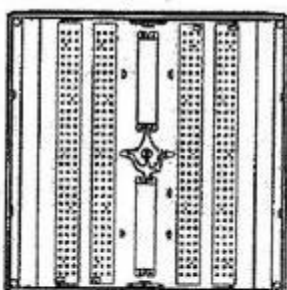


2. Install fixture into
grid ceiling.

**Make sure power is turned off at the source
to the troffer housing.**

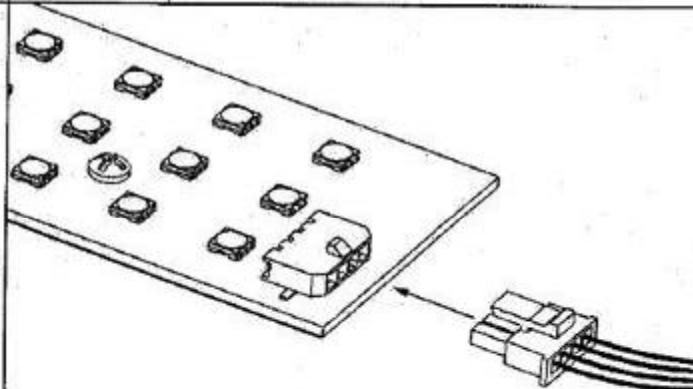


2 boards

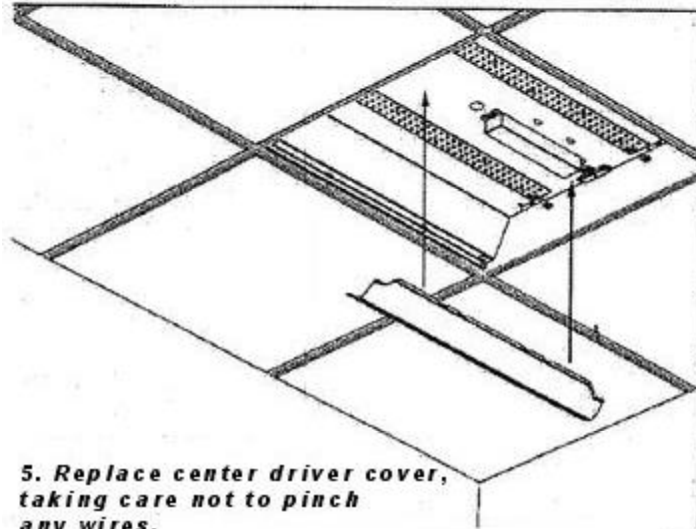


4 boards

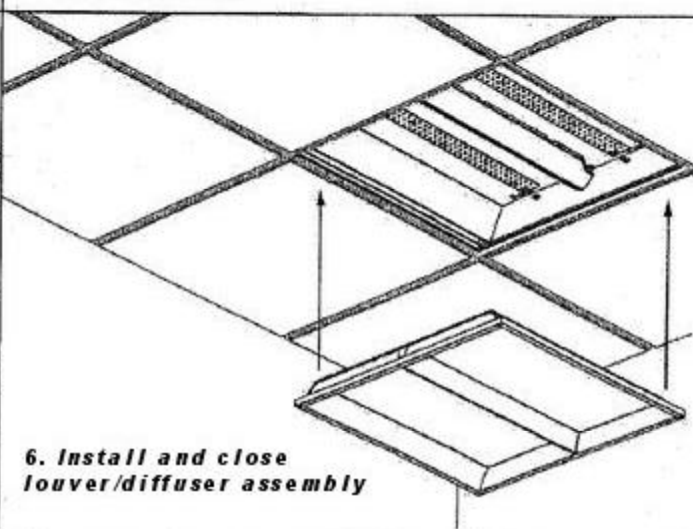
3. Bring electric power cord in through back of
fixture. Using wire nuts, connect cord leads to
LED driver input wires (black/white). Driver
can be connected to 120-277V AC input.



4. Ensure all microconnectors are attached
to LED circuit boards.



5. Replace center driver cover,
taking care not to pinch
any wires.



6. Install and close
louver/diffuser assembly

7. Restore power to fixture at fuse or circuit breaker.

Texas Fluorescents

2055 Luna Rd. Suite 142 Carrollton, TX 75006

Phone: 972-247-3171 Fax: 972-247-0200

www.texasfluorescents.com Email: sales@texasfluorescents.com

Rev. 8/8/12

Catalog Number:

Notes:

LXT Series

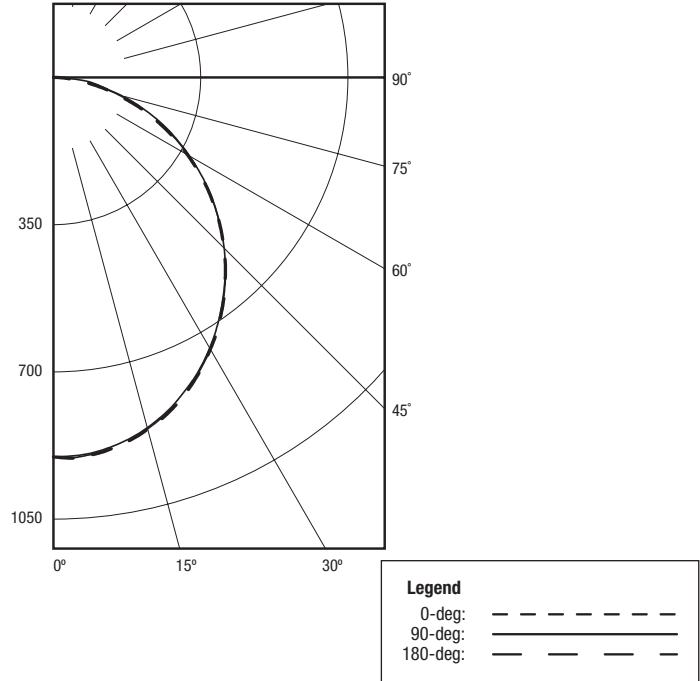
2x2/2x4 LED/FLUOR



LED light source and luminaire specifications

LXT LED Troffer		
Specification	2'x2'	2'x4'
Input Wattage	35.6	52
Delivered Lumens (lms)	3548	5827
Efficacy (LpW)	99.7	111.9
Color Rendering Index (CRI)	84.3	84.4
Color Temperature (CCT) k	3500, 4000	3500, 4000
Minimum Ambient Temp (°F)	-4	-4
Maximum Ambient Temp (°F)	158	158
Dimming	0-10v	0-10v
Rated Life (L70)	50000	50000
Warranty	5 years	5 years
Voltage (V)	120-277v	120-277v
Operating Frequency (Hz)	50/60	50/60
UL	Yes	Yes
FCC	Compliant	Compliant

LXT 2x2 LG IT



LXT 2x4 LG IT

