

PUFF Series

Cloud Fixture

FEATURES & SPECIFICATIONS

INTENDED USE

A puff of light to illuminate the most discriminating office or home. A shallow contemporary opal acrylic diffuser softly and evenly distributes light at comfortable levels.

SIZE W x L x H in inches (mm)

1x4: 11.75W x 50.5L x 6.0Dp
 2x2: 26.5W x 26.5L x 6.0Dp
 2x4: 26.5W x 50.5L x 6.0Dp
 15.0W x 26.5L x 6.0Dp
 17.0W x 26.5L x 6.0Dp
 17.0W x 50.5 x 6.0Dp

LAMP

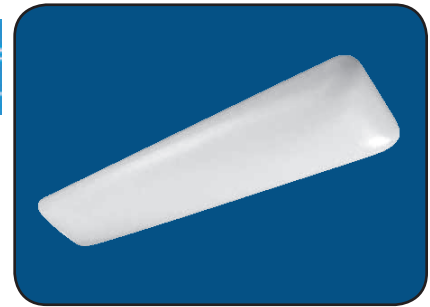
2 or 4 lamp positions

CONSTRUCTION

All metal parts die formed from heavy gauge cold roll steel housing spot welded to insure uniformity and dimensional stability.

ELECTRICAL

Unless otherwise specified, ballasts are rapid start, class "P" thermally protected, H.P.F., CBM-ETL. Optional ballasts available include: energy saving (ESB), electronic (ELB), dimming (DIM), low temperature (CW). Standard voltage on all fixtures is 120V 60HZ AC, or as specified. Sufficient knockouts are provided on the back for all connections and through wiring.



DIFFUSER

One piece .170 smooth opal 100% acrylic for a fully luminous light source. Special concealed hinges allow lens to swing down from either side to facilitate relamping.

LISTING

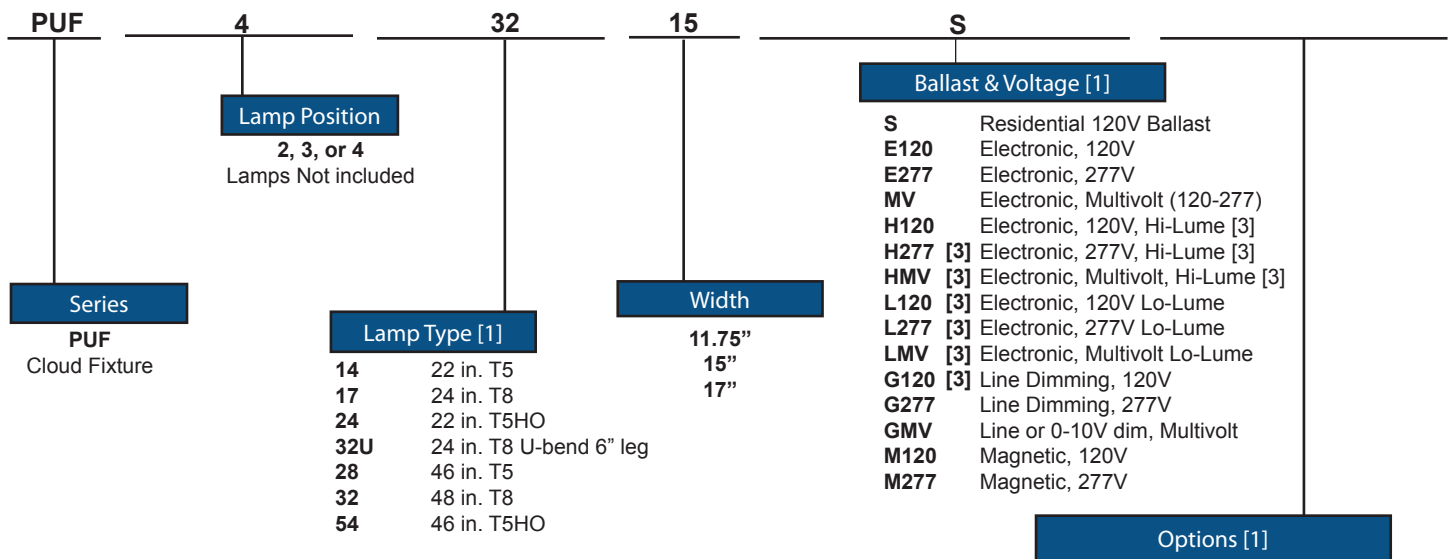
Fixture and Ballast: UL Listed. Ballast: Thermally protected, class P, HPF, Non PCB.

TYPICAL OPTIONS AND ACCESSORIES

Emergency ballasts, whips, and lenses. See options page at the end of the T02SURF section, or contact factory for more details.

ORDERING INFORMATION

Example: PUF43215S



Notes

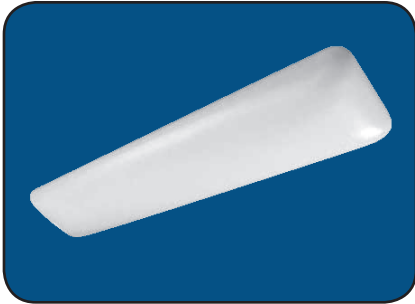
- [1] See end of T02Grid for many additional lamps, ballasts, finishes, and options.
 [2] HiLume and multivolt dimming ballasts available for T8 lamps only.
 [3] Dimming ballasts available for T8 lamps only.

EM14 ballast required for T5, TT5 & T5HO

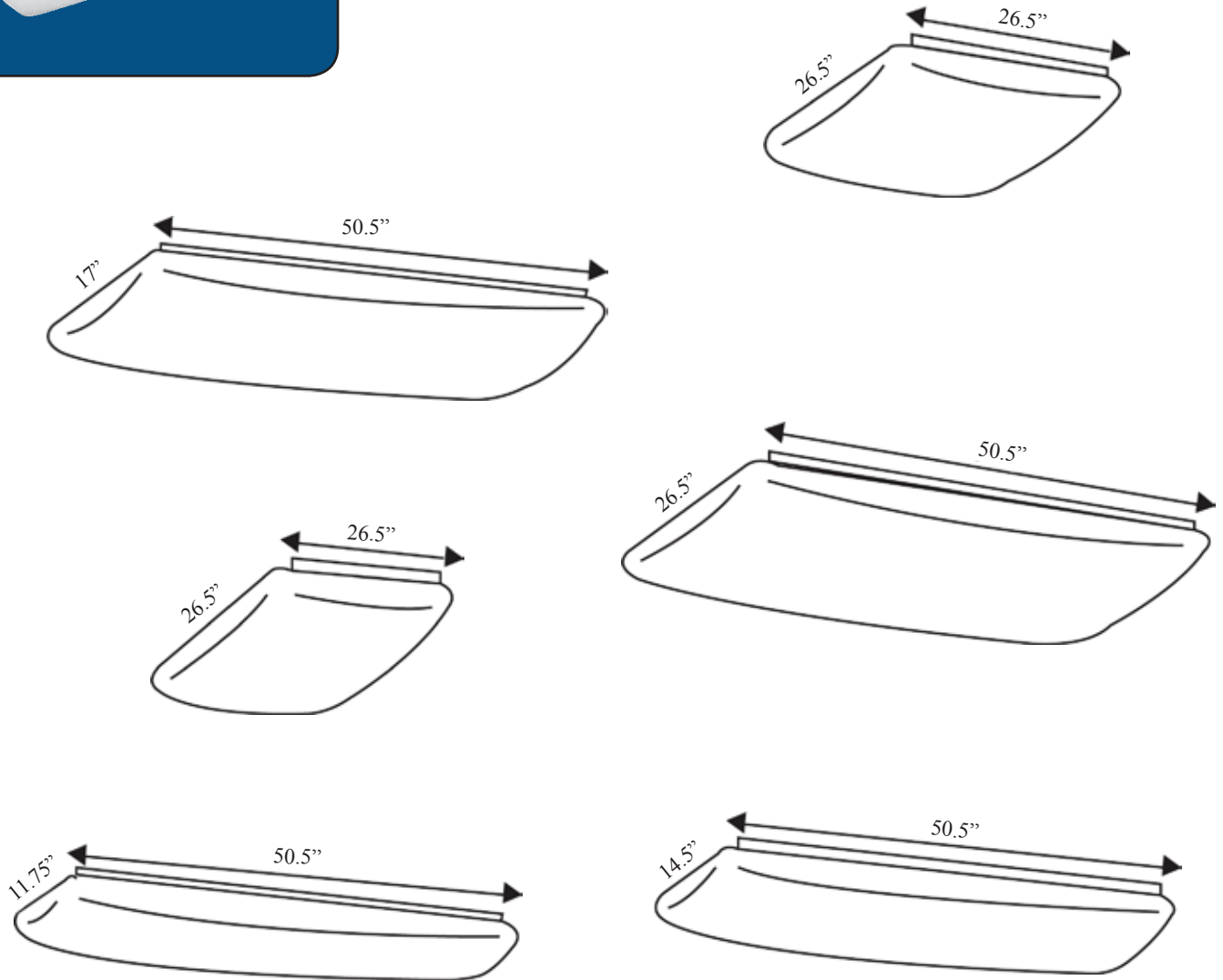
Catalog Number:
Notes:

PUFF Series

Cloud Fixture



All dimensions are inches. Specifications subject to change without notice.



Catalog Number:
Notes: