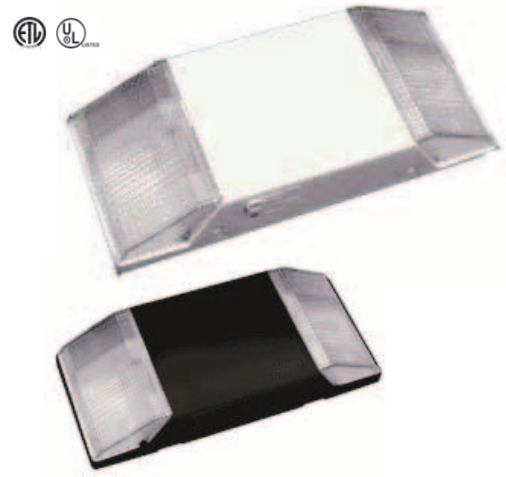


model R-2

Compact and economical unit
installs easily and has a low-profile
appearance.

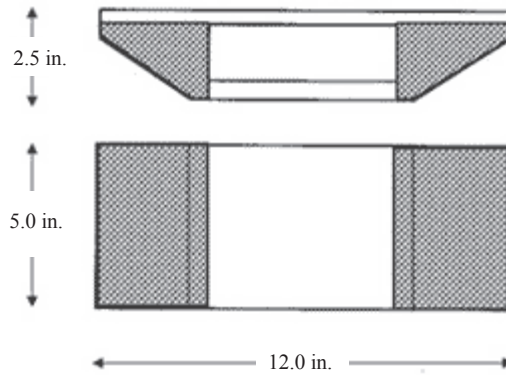
FEATURES & SPECIFICATIONS

- Completely self-contained.
- Fully Automatic Operation.
- Compact, low profile design in neutral finish.
- Push to test switch.
- 6-Volt premium grade, pure lead, maintenance-free battery with 10-year expected life.
- Environmentally-coated, solid state charger.
- Automatic, low voltage disconnect (LVD).
- Universal transformer for 120 or 277 VAC operation.
- Standard with two 5.6 watt, glare-free lighting lenses.
- Injection-molded, V-O flame retardant, high impact, thermoplastic housing.
- Charge rate/power on LED indicator light.



* Also available in black housing

DIMENSIONS



ORDERING INFORMATION

Catalog Model #	Emergency Operation	Voltage Input	Lamp Wattage	Battery Voltage	Damp Location	Warranty
R-2	90 Min.	120V / 277V	2 x 5.4V	6V	Yes	Yes
R-2B (Black)	90 Min.	120V / 277V	2 x 5.4V	6V	Yes	Yes

Catalog Number:
Notes: