

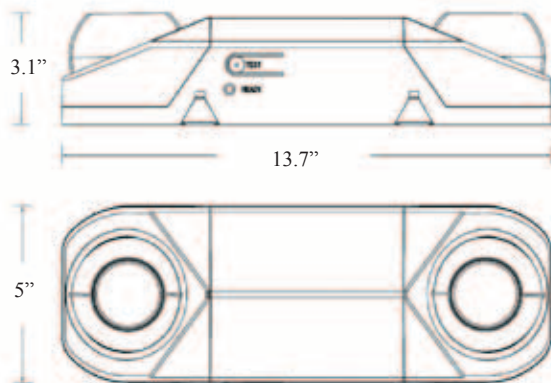
FEATURES & SPECIFICATIONS

- Ultra-bright MR-16 halogen lamps
- Two 5.4W lamp heads
- 6V, sealed lead acid, rechargeable, maintenance-free battery
- Completely self-contained
- Fully automatic operation
- Compact, low-profile design
- Automatic, low-voltage disconnect (LVD)
- Push-to-test switch
- 120V/277V dual voltage operation standard
- UL listed for damp location
- 90+ minute emergency operation
- Available in white or black housing



Ideal for commercial and industrial facilities where economy, appearance, and the ultimate ease of installation and maintenance are desired. Solid state electronics offer both reliability and low-cost performance.

DIMENSIONS



ORDERING INFORMATION

Series	Housing Color	Battery Voltage	Lamp Wattage	Battery Type	Damp Location	Emergency Operation
RMR-16	W - White B - Black	6V	(2) 5.4W	Sealed lead acid	Yes	90 Min