

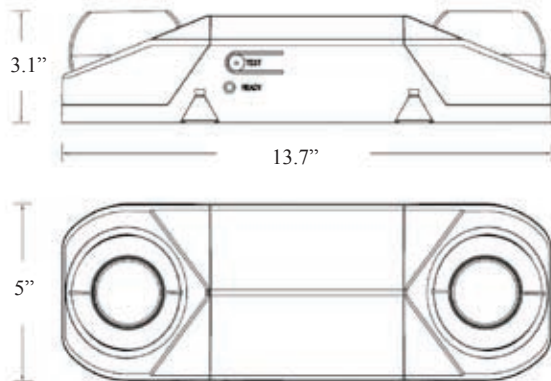
## FEATURES & SPECIFICATIONS

- Ultra-bright MR-16 halogen lamps
- 6V, sealed lead acid, rechargeable, maintenance-free battery
- Completely self-contained
- Fully automatic operation
- V-5 flame retardant
- Automatic, low-voltage disconnect (LVD)
- Push-to-test switch
- 120V/277V dual voltage operation standard
- High-Impact resistant
- UL Listed for Wet Locations.



**Ideal for wet location/ outdoor commercial and industrial facilities where economy, appearance and the ultimate ease of installation and maintenance are desired. Solid state electronics offer both reliability and low-cost performance.**

## DIMENSIONS



## ORDERING INFORMATION

Series	Housing Color	Battery Voltage	Lamp Wattage	Battery Type	Wet Location	Emergency Operation
RMR-16-WP	W - White	6V	(2) 5.4W	Sealed lead acid	Yes	90 Min