

Project	Type

Features and Benefits

SAL Series is an energy conserving architectural floodlight. It replaces a Metal Halide 400 Watts. Lasts approximately 5 years, instead of every 6 months for an HID lamp. Perfect for hard to service locations. Rugged diecast design insures LEDs operate at optimum temperature for long life.

Ideal for streets, parks, warehouses, hotels, entryways.

Technical Specifications

- Die cast housing
- Architectural bronze UV resistant outdoor powder coat finish (or other colors)
- UL listed / CUL listed for damp locations
- Input voltage: 120~277V AC
- Quality long life CREE XPE LEDs
- LowTj for long life, low lumen depreciation
- Input power - 188 Watts (80leds)
- Lumens - 11,000 Lumens
- Low starting temp - 30°C
- Color temperature - 5000K
- IC current controlled LED circuits
- **3 Year Warranty**

Optional Mounting System



DC570BR
Trunion
Adjustable aiming over 180° arc



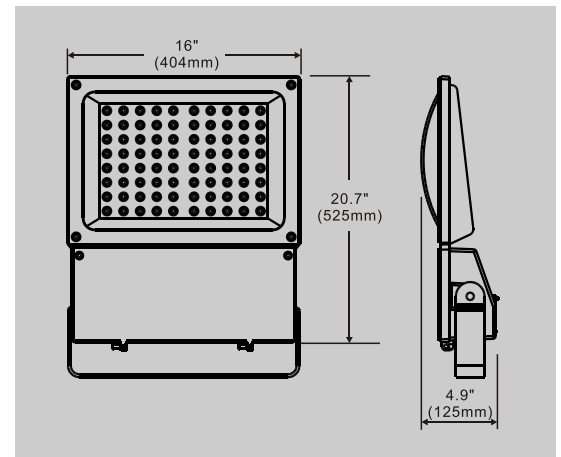
DC570SW
Slip Fitter
Joint adjust over 180° arc

SAL Series

ARCHITECTURAL AREA FLOOD LIGHTING



DIMENSIONS



Powered by **CREE** LEDs™

Example: **SAL16L188W11000L50KBZ**

SERIES	SIZE	WATTS/LUMENS	COLOR TEMP	FINISH	OPTIONS*
SAL - Area Flood	16L - 16" Wide	188W11000L - 188 Watts/11000 Lumens	50K - 5000 Kelvins	BZ - Bronze	DC570W - Slip Fitter DC570BR - Trunion

*Order Separately