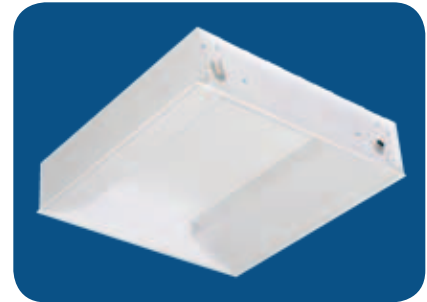


# SBRDI 2x2 ft.

Direct/Indirect, Side Diffuser,  
Grid Mount



## FEATURES & SPECIFICATIONS

### INTENDED USE

Specification grade, direct / indirect side mounted diffused luminaire provides smooth and uniform ambient lighting for all commercial and industrial buildings with recessed configurations. Reflected light from matte surfaces provide a softened “sky light” appearance to the modern office environment.

### SIZE W x L x H in inches (mm)

23.75W x 24.0L x 5.5Dp (600 x 610 x 140)

### LAMP

2 or 4 Lamp Positions

### MATERIALS & FEATURES

Housing is die-formed and embossed code 22 gage steel. Luminaire body finish is high reflectance baked white enamel, with matte white reflectors. Wiring knockouts are provided on the back of housing. Side diffusers snap into place; no tools are required for removal. Diffusers are perforated to maintain even brightness, and provided with an internal, acrylic overlay to obscure lamps.

- Direct / indirect mimics “sky light” appearance
- Matte white reflective surfaces for soft, uniform light distribution
- Recessed perforated side diffusers with acrylic overlay.
- Available with linear T8 or T5HO lamps

### MOUNTING

Recessed inverted T-Bar ceilings. Grid mount.

### LISTING

Fixture & Ballast: UL Listed

Ballast: Thermally protected, class P, HPF,  
Non PCB

### TYPICAL OPTIONS AND ACCESSORIES

Emergency ballasts, whips, and frame kits. See options page at the end of the T02Grid section, or contact factory for more details.

## ORDERING INFORMATION

Example: **SBRDI224E120**

<b>SBRDI</b>	<b>2</b>	<b>24</b>	<b>E120</b>																									
<b>Series</b>	<b>Lamp Positions</b>	<b>Lamp Type [1]</b>	<b>Ballast &amp; Voltage [1]</b>																									
<b>SBRDI</b> Direct/Indirect, Side-Basket, Grid Mount	<b>2 or 4</b> Lamps Not Included	<table border="0"> <tr> <td><b>14</b></td> <td>22 in. T5</td> </tr> <tr> <td><b>17</b></td> <td>24 in. T8</td> </tr> <tr> <td><b>24</b></td> <td>22 in. T5HO</td> </tr> </table>	<b>14</b>	22 in. T5	<b>17</b>	24 in. T8	<b>24</b>	22 in. T5HO	<table border="0"> <tr> <td><b>E120</b></td> <td>Electronic, 120V</td> </tr> <tr> <td><b>E277</b></td> <td>Electronic, 277V</td> </tr> <tr> <td><b>MV</b></td> <td>Electronic, Multivolt (120-277)</td> </tr> <tr> <td><b>H120 [2]</b></td> <td>Electronic, 120V, Hi-Lume</td> </tr> <tr> <td><b>H277 [2]</b></td> <td>Electronic, 277V, Hi-Lume</td> </tr> <tr> <td><b>HMV [2]</b></td> <td>Electronic, Multivolt, Hi-Lume</td> </tr> <tr> <td><b>G120 [3]</b></td> <td>Line Dimming, 120 Volt</td> </tr> <tr> <td><b>G277 [3]</b></td> <td>Line Dimming, 277 Volt</td> </tr> <tr> <td><b>GMV [3]</b></td> <td>Line or 0-10V dimming, Multivolt</td> </tr> </table>	<b>E120</b>	Electronic, 120V	<b>E277</b>	Electronic, 277V	<b>MV</b>	Electronic, Multivolt (120-277)	<b>H120 [2]</b>	Electronic, 120V, Hi-Lume	<b>H277 [2]</b>	Electronic, 277V, Hi-Lume	<b>HMV [2]</b>	Electronic, Multivolt, Hi-Lume	<b>G120 [3]</b>	Line Dimming, 120 Volt	<b>G277 [3]</b>	Line Dimming, 277 Volt	<b>GMV [3]</b>	Line or 0-10V dimming, Multivolt	<b>Options [1]</b>
<b>14</b>	22 in. T5																											
<b>17</b>	24 in. T8																											
<b>24</b>	22 in. T5HO																											
<b>E120</b>	Electronic, 120V																											
<b>E277</b>	Electronic, 277V																											
<b>MV</b>	Electronic, Multivolt (120-277)																											
<b>H120 [2]</b>	Electronic, 120V, Hi-Lume																											
<b>H277 [2]</b>	Electronic, 277V, Hi-Lume																											
<b>HMV [2]</b>	Electronic, Multivolt, Hi-Lume																											
<b>G120 [3]</b>	Line Dimming, 120 Volt																											
<b>G277 [3]</b>	Line Dimming, 277 Volt																											
<b>GMV [3]</b>	Line or 0-10V dimming, Multivolt																											
				<table border="0"> <tr> <td><b>WP</b></td> <td>6ft whip, 3/18ga</td> </tr> <tr> <td><b>WP10</b></td> <td>6ft whip, 4/18ga</td> </tr> <tr> <td><b>EM</b></td> <td>Emergency ballast</td> </tr> <tr> <td><b>EM14</b></td> <td>Emergency ballast, 1400Lumen</td> </tr> </table>	<b>WP</b>	6ft whip, 3/18ga	<b>WP10</b>	6ft whip, 4/18ga	<b>EM</b>	Emergency ballast	<b>EM14</b>	Emergency ballast, 1400Lumen																
<b>WP</b>	6ft whip, 3/18ga																											
<b>WP10</b>	6ft whip, 4/18ga																											
<b>EM</b>	Emergency ballast																											
<b>EM14</b>	Emergency ballast, 1400Lumen																											

### Notes:

[1] See end of T02Grid for many additional lamps, ballasts, finishes, and options.

[2] HiLume and multivolt dimming ballasts available for T8 lamps only.

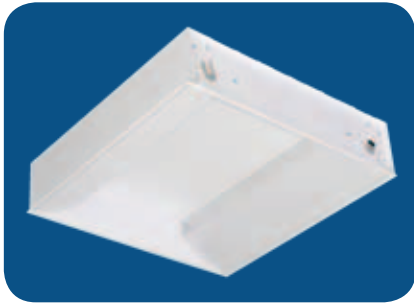
[3] Dimming ballasts available for T8 & T5HO lamps only.

Catalog Number:

Notes:

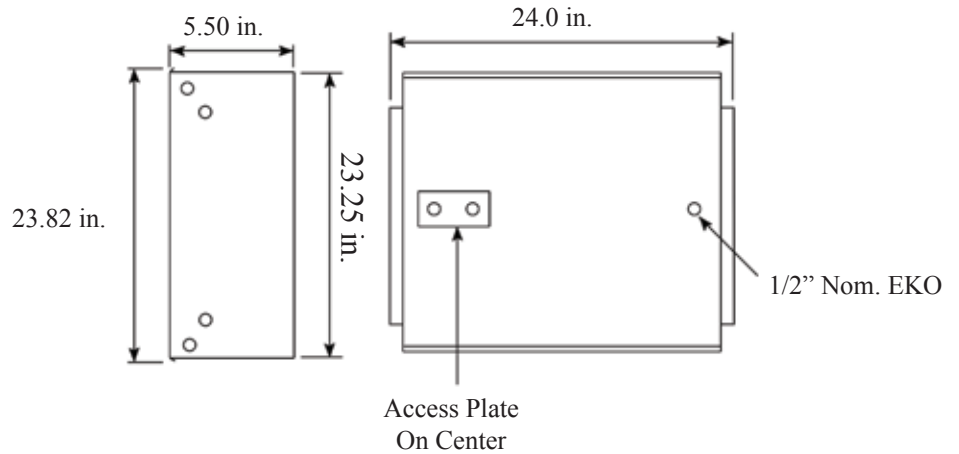
# SBRDI 2x2 ft.

Direct/Indirect, Side Diffuser,  
Grid Mount



## DIMENSIONS

All dimensions are inches. Specifications subject to change without notice.



## PHOTOMETRICS

Calculated using the zonal cavity method in accordance with IESNA LM41 procedure. Lamp configurations shown are typical. Photometric data on these and other configurations available upon request.

Floor	20%	20%	20%	20%	20%	20%	20%	20%	20%
Ceiling	80%	80%	80%	70%	70%	70%	50%	50%	50%
Wall	70%	50%	30%	70%	50%	30%	50%	30%	10%
RCR	Zonal cavity coefficients SBRDI 224								
0	0.76	0.75	0.75	0.74	0.74	0.73	0.71	0.70	0.70
1	0.69	0.65	0.62	0.67	0.64	0.61	0.61	0.59	0.57
2	0.63	0.57	0.52	0.61	0.55	0.51	0.53	0.50	0.46
3	0.57	0.49	0.44	0.55	0.48	0.43	0.47	0.42	0.39
4	0.52	0.44	0.38	0.51	0.43	0.37	0.41	0.37	0.33
5	0.48	0.39	0.33	0.46	0.38	0.33	0.37	0.32	0.28
6	0.44	0.35	0.29	0.43	0.34	0.29	0.33	0.28	0.25
7	0.41	0.32	0.26	0.40	0.31	0.26	0.30	0.25	0.22
8	0.38	0.29	0.23	0.37	0.29	0.23	0.28	0.23	0.20
9	0.36	0.27	0.21	0.35	0.26	0.21	0.26	0.21	0.18
10	0.33	0.25	0.19	0.33	0.24	0.19	0.24	0.19	0.16

Floor	20%	20%	20%	20%	20%	20%	20%	20%	20%
Ceiling	80%	80%	80%	70%	70%	70%	50%	50%	50%
Wall	70%	50%	30%	70%	50%	30%	50%	30%	10%
RCR	Zonal cavity coefficients SBRDI 424								
0	0.65	0.65	0.64	0.64	0.63	0.63	0.61	0.60	0.60
1	0.59	0.56	0.53	0.58	0.55	0.52	0.53	0.51	0.49
2	0.54	0.49	0.45	0.52	0.48	0.44	0.46	0.43	0.40
3	0.49	0.42	0.38	0.47	0.42	0.37	0.40	0.36	0.33
4	0.45	0.38	0.33	0.43	0.37	0.32	0.36	0.31	0.28
5	0.41	0.33	0.28	0.40	0.33	0.28	0.32	0.27	0.24
6	0.38	0.30	0.25	0.37	0.29	0.25	0.28	0.24	0.21
7	0.35	0.27	0.22	0.34	0.27	0.22	0.26	0.22	0.19
8	0.33	0.25	0.20	0.32	0.25	0.20	0.24	0.20	0.17
9	0.31	0.23	0.18	0.30	0.23	0.18	0.22	0.18	0.15
10	0.29	0.21	0.17	0.28	0.21	0.17	0.20	0.16	0.14

Catalog Number:
Notes:

# SBRDI 2x4 ft.

Direct/Indirect, Side Diffuser,  
Grid Mount



## FEATURES & SPECIFICATIONS

### INTENDED USE

Specification grade, direct / indirect side mounted diffused luminaire provides smooth and uniform ambient lighting for all commercial and industrial buildings with recessed configurations. Reflected light from matte surfaces provide a softened “sky light” appearance to the modern office environment.

### SIZE W x L x H in inches (mm)

23.75W x 48.0L x 5.5Dp (600 x 1220 x 140)

### LAMP

2 or 4 Lamp Positions

### MATERIALS & FEATURES

Housing is die-formed and embossed code 22 gage steel. Luminaire body finish is high reflectance baked white enamel, with matte white reflectors. Wiring knockouts are provided on the back of housing. Side diffusers snap into place; no tools are required for removal. Diffusers are perforated to maintain even brightness, and provided with an internal, acrylic overlay to obscure lamps.

- Direct / indirect mimics “sky light” appearance
- Matte white reflective surfaces for soft, uniform light distribution
- Recessed perforated side diffusers with acrylic overlay.
- Available with linear T8 or T5HO lamps

### MOUNTING

Recessed inverted T-Bar ceilings. Grid mount.

### LISTING

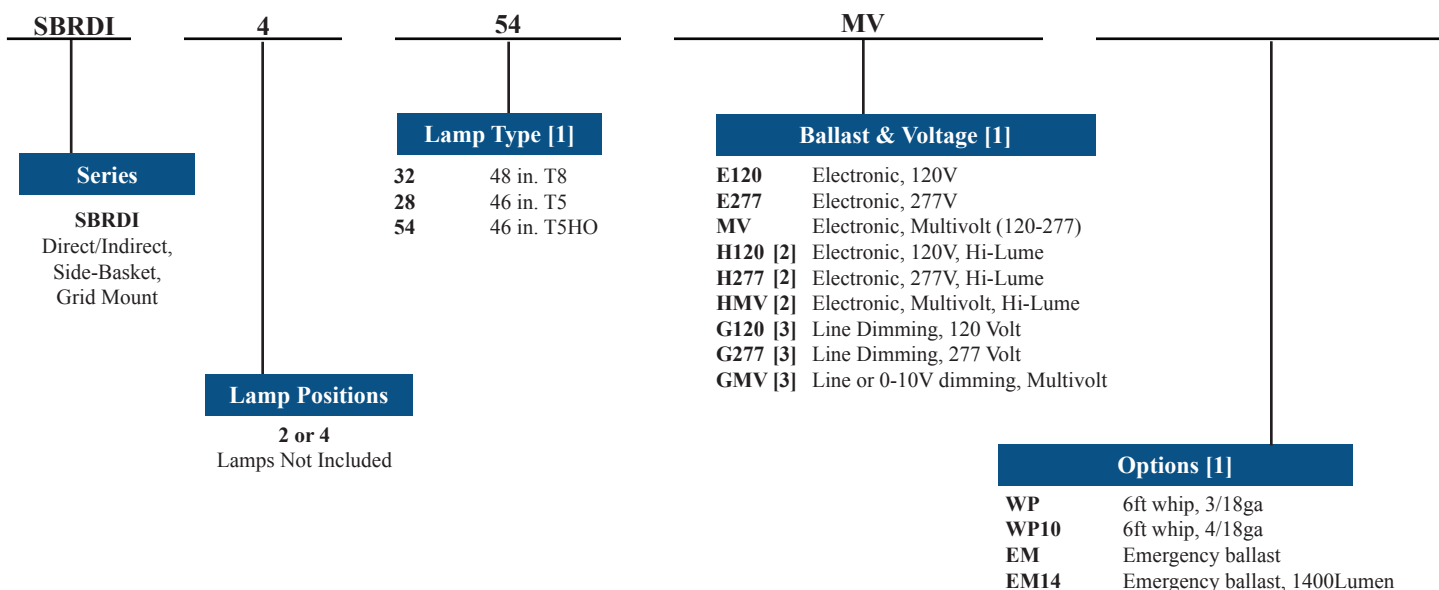
Fixture & Ballast: UL Listed  
Ballast: Thermally protected, class P, HPF,  
Non PCB

### TYPICAL OPTIONS AND ACCESSORIES

Emergency ballasts, whips, and frame kits. See options page at the end of the T02Grid section, or contact factory for more details.

## ORDERING INFORMATION

Example: **SBRDI454MV**



### Notes:

- [1] See end of T02Grid for many additional lamps, ballasts, finishes, and options.  
[2] HiLume and multivolt dimming ballasts available for T8 lamps only.  
[3] Dimming ballasts available for T8 & T5HO lamps only.

Catalog Number:

Notes:

# SBRDI 2x4 ft.

Direct/Indirect, Side Diffuser,  
Grid Mount



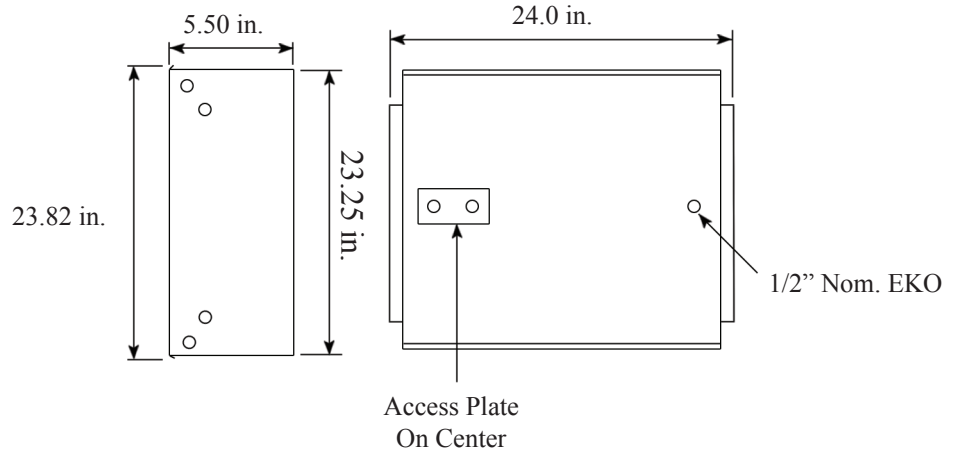
T E X A S

F L U O R E S C E N T S



## DIMENSIONS

All dimensions are inches. Specifications subject to change without notice.



Catalog Number:
Notes: