

FEATURES & SPECIFICATIONS

INTENDED USE

The SRK Universal Retrofit Kit is designed for 4' or 8' fluorescent industrial and strip fixtures and installs with simple hand tools. The universal socket bracket is designed for simple fit up to most standard fluorescent channels from 4" to 5 1/4" in width. The Reflector mounts to final wired socket brackets with 2 quarter-turn fasteners for easy maintenance after retrofit is complete. Components are shipped separately in unit packages.

LAMP

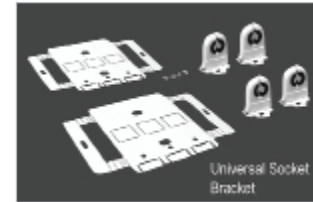
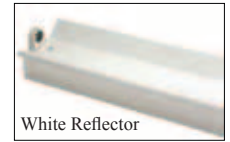
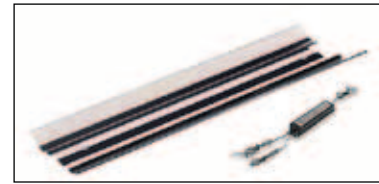
1, 2, or 3 Lamp Positions.

MOUNTING

The SRK universal strip retrofit kit mounts easily, requiring only simple hand tools. The process includes removal of the existing ballast cover(s) and removal of the existing socket brackets and ballast. The new reflector is then attached to the existing strip channel with a universal socket bracket and self-tapping screws. The universal socket bracket can fit channels from 4" to 5 1/4" in width. The reflector serves as the ballast cover. Mount and connect new ballast to sockets. Close the reflector using captive quarter turns and install lamps.

REFLECTORS

Precision formed, high performance, premium mirrored specular reflector or enhanced white reflector.



ELECTRICAL

Lamps are secured with rotary locking lamp sockets for ease of relamping and to reduce lamps disconnecting due to vibration or incidental contact. Suitable for damp locations. Lamp socket accepts No. 18 gauge wire, either solid, solder dipped or twisted-tinned or fuse wire.

LISTING

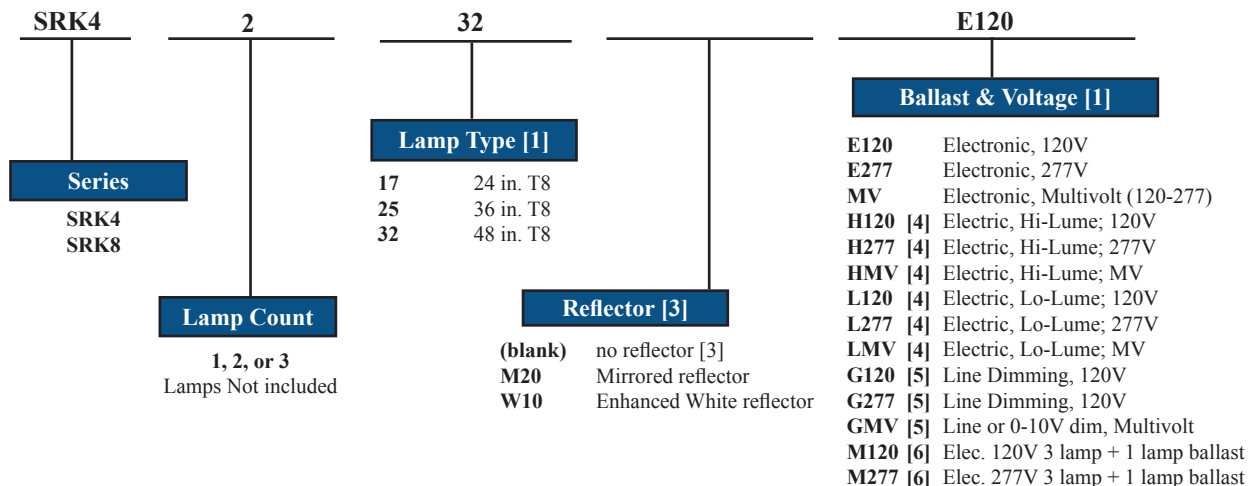
Fixture & Ballast: UL Listed Ballast:
Thermally protected, class P, HPF, Non PCB

TYPICAL OPTIONS AND ACCESSORIES

Emergency ballasts, whips, wire guards, and tube guards. See options page at the end of the T02STRIP section, or contact factory for more details.

ORDERING INFORMATION

Example: **SRK4 232 E120**

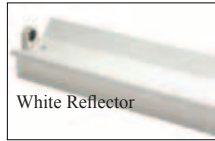
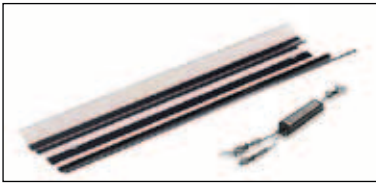


Notes

- [1] See end of T02Grid for many additional lamps, ballasts, finishes, and options.
- [3] Custom reflectors available to create any light distribution.
- [4] HiLume and LoLume ballasts available for T8 lamps only.
- [5] Line dimming ballasts available for T8 & T5HO lamps only.
- [6] Magnetic ballasts available for T8 & T12 only.
- [7] Magnetic & electronic T12 ballasts drive a 34W energy saver lamp.

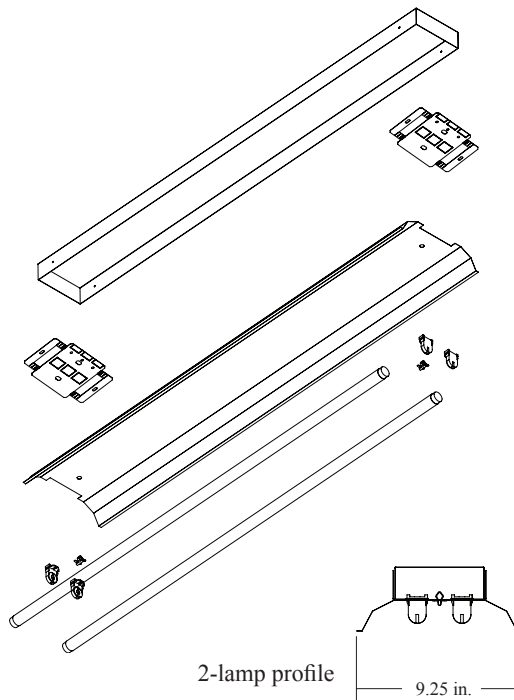
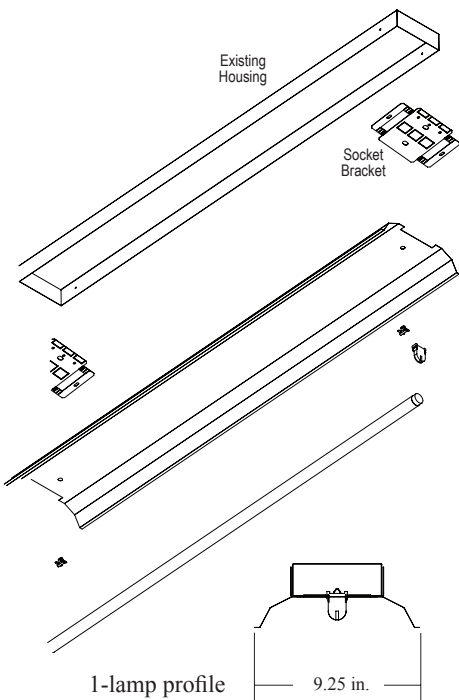
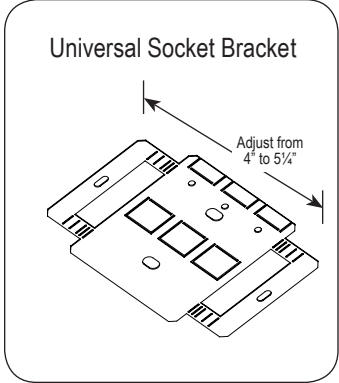
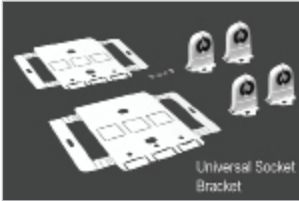
SRK

Universal Strip Retrofit Kit w/ Reflector



DIMENSIONS

All dimensions are inches. Specifications subject to change without notice.



Catalog Number:
Notes: