

SSWLIN Series

Direct/Indirect Wall Mount
 Smart Sense (option)

FEATURES & SPECIFICATIONS

INTENDED USE:

Specification grade, low profile direct / indirect wall mount with up and forward throw optics, the SSWLIN is a sleek wall mount companion to the pendant mount indirect LIN (see T02PEND, LIN series). This wall mount is ideal for brightening perimeters of offices or spectacular wall lighting systems for corridors.

SIZE W x L x H in inches (mm)

5.03W x 49.25L x 2.68Dp (130 x 1250 x 70)

5.03W x 98.00L x 2.68Dp (130 x 2490 x 70) Tandems

LAMP

1, 2 lamp positions.

MATERIALS & FEATURES

Housing is die-formed and embossed code 20 gauge steel with die cast aluminum end caps. Standard finish is powder coat white. Custom colors available. An enhanced white aluminum reflector is included.

- CONTINUOUS ROW MOUNTING
- POST PAINTED POWDER COAT FINISH
- White standard, Custom colors available

LOUVER

Matte silver anodized, parabolic, with optional slots on the side of louver. End cap complete the finished louvered look.



MOUNTING

Wall Bracket Mount

LISTING

Fixture and Ballast: UL Listed. Ballast: Thermally protected, class P, HPF, Non PCB

TYPICAL OPTIONS AND ACCESSORIES

Emergency ballasts and custom colors. Companion wall mount fixture to the LIN series direct / indirect pendant.

ORDERING INFORMATION

Example: SSWLINPF2328MV

SSWLIN	PF	2	32	8	MV	
Series		Lamp Count			Finish	
SSWLIN		(lamps not included)			Blank White (standard)	
Smart Sense		1, 2	32 48 in. T8		Custom colors available	
Wall Mount		1, 2	32 48 in. T8	8 8ft. Tandem (4 lamp positions total)		
Body Style		1, 2	28 46 in. T5			
PF Perforated		1, 2	28 46 in. T5	8 8ft. Tandem (4 lamp positions total)		
SD Solid		1, 2	54 46 in. T5HO			
MW White Lens		1, 2	54 46 in. T5HO	8 8ft. Tandem (4 lamp positions total)	Ballast Type	
LV Louver		Function				MV Electronic Multi Volt 120-277V
		Blank	Standard Fixture includes end caps			PMV Program StartMultivolt
		J	Joiner - No end caps are furnished with joiner sections			*PMV recommended for SSWLIN with T8 lamps

See all ballast options in Buyers Guide

NO END CAPS ON JOINER SECTIONS.

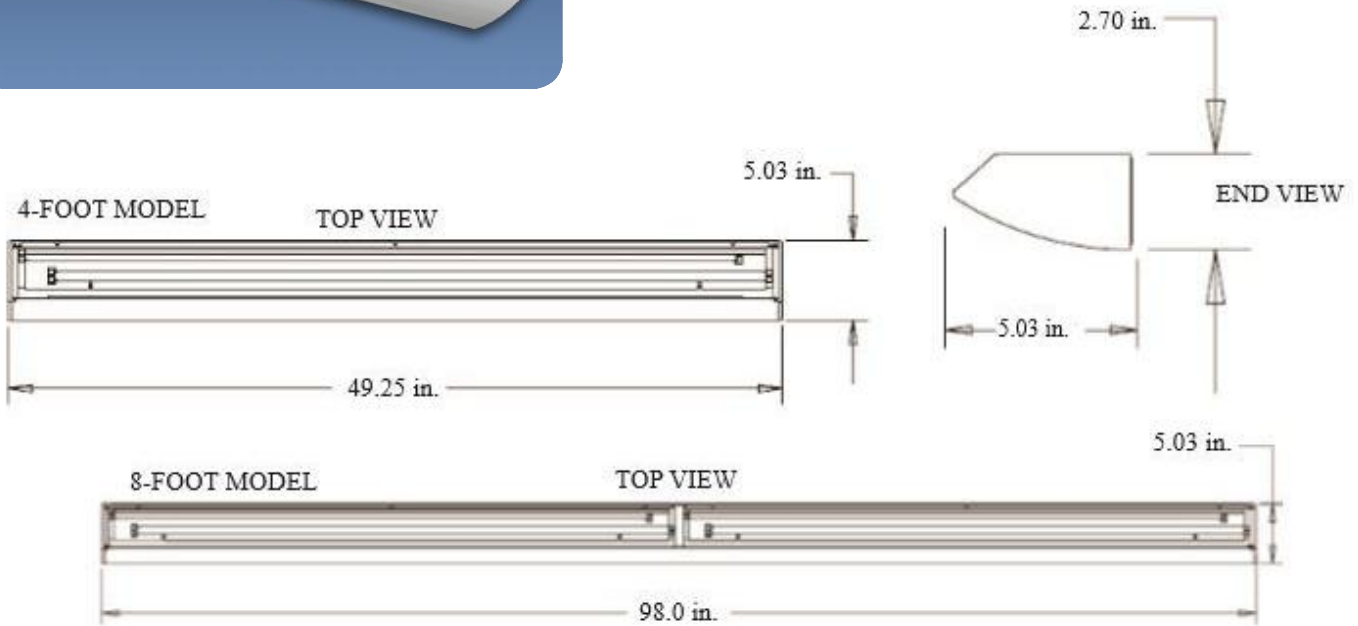
The SSWLIN series may be mounted in continuous rows. One pair of end caps are required per row.
 For individual mount, order standard fixture.
 For a continuous row, order one standard & balance as joiners.

Catalog Number:

Notes:

SSWLIN Series

Direct/Indirect Wall Mount
 Smart Sense (option)



LIN Series



Mounted on Ceiling

WLIN Series



Mounted on Wall

* Companion to the LIN series pendant mount indirect.

Catalog Number:
Notes: