

# Series ST2

## Staggered Strip Two Lamp



### FEATURES & SPECIFICATIONS

#### INTENDED USE

Specification grade, dual lamp (and TANDEM double lamp) strip for interior coves, valances, and displays requiring lighting without dark areas at lamp ends.

#### SIZE W x L x H in inches (mm)

4.25W x 2.00H (110 x 50)

Fixture length defined in ordering table.

#### LAMP

2 lamp positions.

#### MATERIALS & FEATURES

Housing is die-formed and embossed code 22 gage steel. Finish is high reflectance baked white enamel. Wiring knockouts are provided on back and end of housing. Ballast covers attach without tools to simplify ballast access.

See ST1 Series for similar fixtures with single lamp cross section.

- Single unit length and tandem fixtures available in most lamp styles.
- Available with T8 or T12 lamp styles.
- Offset provides continuous row lighting.

### ORDERING INFORMATION

<b>ST2</b>	<b>32</b>
<b>Series</b>	
ST2 Staggered Strip DOUBLE lamps	
<b>Lamp Type [1] &amp; Tandem Code [2]</b>	
17	27 in. T8 24 in. Actual Length
25	6 39 in. T8 36 in. Actual Length    6ft. Tandem (2 lamp positions total) 75 in. actual Length
32	8 51 in. T8 48 in. Actual Length    8ft. Tandem (2 lamp positions total) 99 in. actual Length

Tandems not stocked. Contact factory for availability.

#### MOUNTING

Surface mount, chain hung, double stem. See end of chapter T02Strip for accessory mount kits.

#### LISTING

Fixture and Ballast: UL Listed.

Ballast: Thermally protected, class P, HPF, Non PCB; unless specified otherwise.

#### TYPICAL OPTIONS AND ACCESSORIES

Emergency ballasts, whips, fuses, and cord sets. See options page at the end of the T02Strip section, or contact factory for more details.

Example: ST2 32 E120

<b>E120</b>
<b>Ballast &amp; Voltage [1]</b>
<b>E120</b> Electronic, 120V
<b>E277</b> Electronic, 277V
<b>MV</b> Electronic, Multivolt (120-277)
<b>H120</b> Electronic, 120V, Hi-Lume
<b>H277</b> Electronic, 277V, Hi-Lume
<b>HMV</b> Electronic, Multivolt, Hi-Lume
<b>L120</b> Electronic, 120V, Lo-Lume
<b>L277</b> Electronic, 277V, Lo-Lume
<b>LMV</b> Electronic, Multivolt, Lo-Lume
<b>S</b> Residential 120V Ballast
<b>Options [1]</b>
<b>WP</b> 6 ft. 3 wire 18 gauge whip
<b>WP10</b> 6 ft. 4 wire 18 gauge whip
<b>EM</b> Emergency ballast, 500 lumens
<b>EM14</b> Emergency ballast, 1400 lumens
<b>D</b> Ballast Disconnect

#### Notes

[1] See end of T02Strip section for many additional lamps, ballasts, finishes, and options.

[2] Tandem increases length and lamp count.

Catalog Number:

Notes:

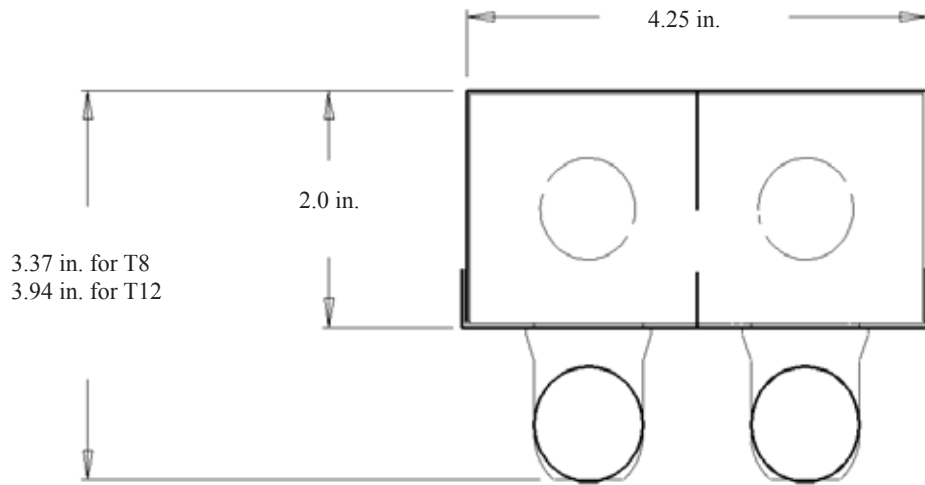
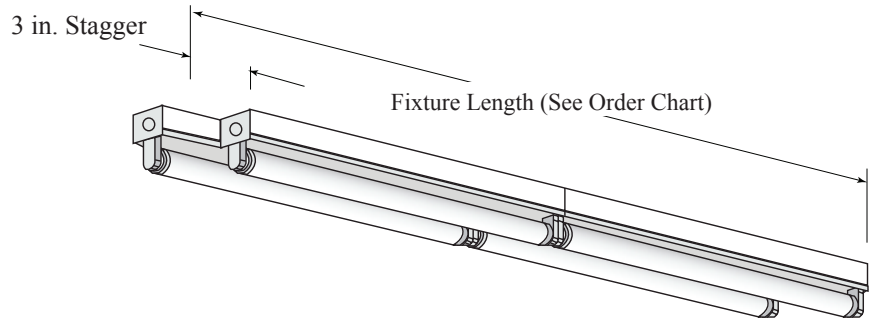
# Series ST2

## Staggered Strip Dual Lamp



### DIMENSIONS

All dimensions are inches. Specifications subject to change without notice.



Catalog Number:
Notes: