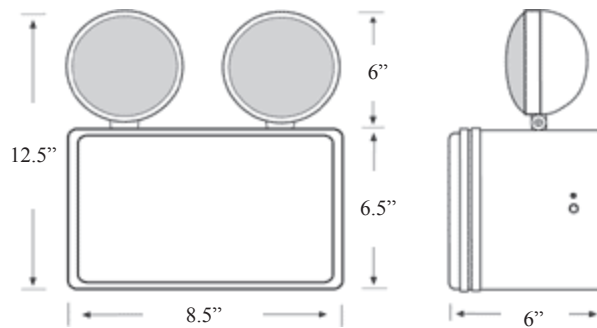


FEATURES & SPECIFICATIONS

- ABS, corrosion resistant UV Stabilized enclosure.
- Dual 120 or 277 VAC input, field selectable.
- Automatic brownout feature.
- Solid-state charging circuit.
- Solid-state line-latched low voltage disconnect provides • 100% load disconnect protection to guard against battery deep discharge.
- Short circuit and overload protection on DC output circuit.
- Sealed momentary test switch.
- Sealed AC ready light.
- Wet location listed.



DIMENSIONS



ORDERING INFORMATION

Series	Emergency Operation	Voltage Input	Lamp Wattage	Battery Voltage	Wet Location	Warranty	Remote Capacity
TFX-2	90 Min	120V / 277V	2 x 7.2W	6V	Yes	Yes	No
TFX-2-RC	90 Min Plus	120V / 277V	2 x 7.2W	6V	Yes	Yes	Yes