



TEXAS

FLUORESCENTS

model VPW/VPC

LED Vapor Proof Lighting

FEATURES & SPECIFICATIONS

- * Die cast housing
- * UL listed / CUL listed
- * Input voltage: 120V AC
- * Highest quality long life LEDs
- * Low Tj for long life, low lumen depreciation
- * LED power — 17Watts
- * Lumens — approx. 900
- * Low starting temp -30°C
- * Color temperature — 5000K



Powered by CREE LEDs

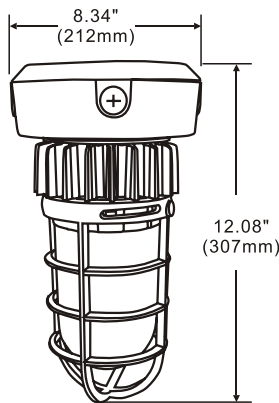
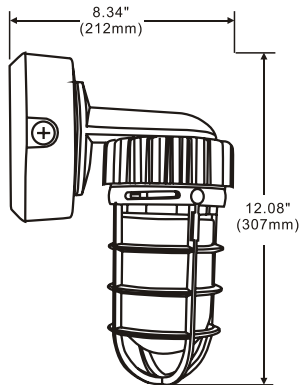


4*1/2" Conduit plug for easy installation

Quick Mounting Plate



DIMENSIONS



1/2 Pendant Mount Rugged, heavy-duty, die-casting aluminum

ORDERING INFORMATION

EX: VPC6L17W900L50KSN

Series	Wattage	@ a Yb	7c'cf HYa dYfh fY	:]b]g\
VPC6L	17W - 17 Wattage	900L - 900 Lumen	50K -) \$\$\$?	SN - SATIN NICKEL
VPW* @	17W - 17 Wattage	900L - 900 Lumen	50K -) \$\$\$?	SN - SATIN NICKEL

Catalog Number:
Notes: