

Project	Type

Features and Benefits

Heavy-duty powder coated die-cast aluminum body houses a clear heat resistant tempered glass with high temperature silicon gaskets. Ideal for parking lots, warehouses, farms, residential areas, walkways, underpasses, gas stations, factories, loading docks and more.

PLUS Ideal fixtures for LED with low wattage, high output and long life. Available for walls or ceilings, all with multiple 1/2" knockouts.

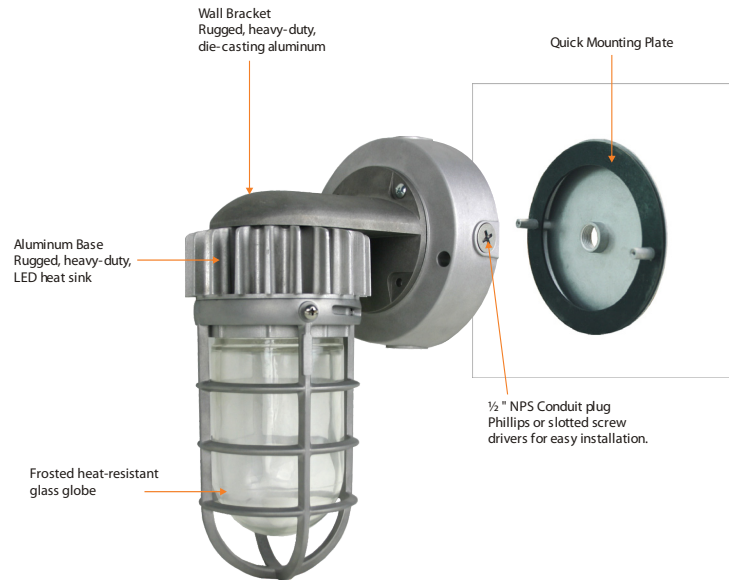
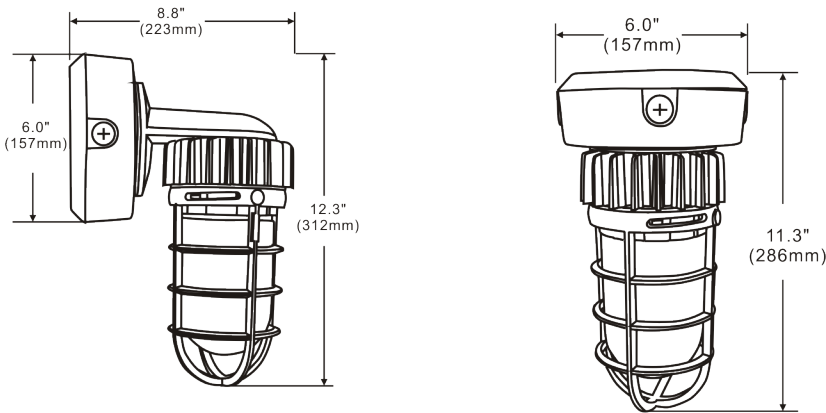
General Specifications

- Die cast housing
- UL listed / CUL listed for damp locations
- Input voltage: 120V AC
- Highest quality long life LEDs
- LowTj for long life, low lumen depreciation
- LED power - 17 Watts
- Lumens - approx. 900 Lumens
- Low starting temp - 30°C
- Color temperature - 5000K
- **3 Year Warranty**

VP Series LED VAPOR PROOF



DIMENSIONS



Example: **VPC6L17W900L50K**

SERIES	SIZE	WATTS/LUMENS	COLOR TEMP
VPC - Ceiling VPW - Wall	6L - 6" Wide Ceiling version only	17W900L - 17 Watts/900 Lumens	50K - 5000 Kelvins